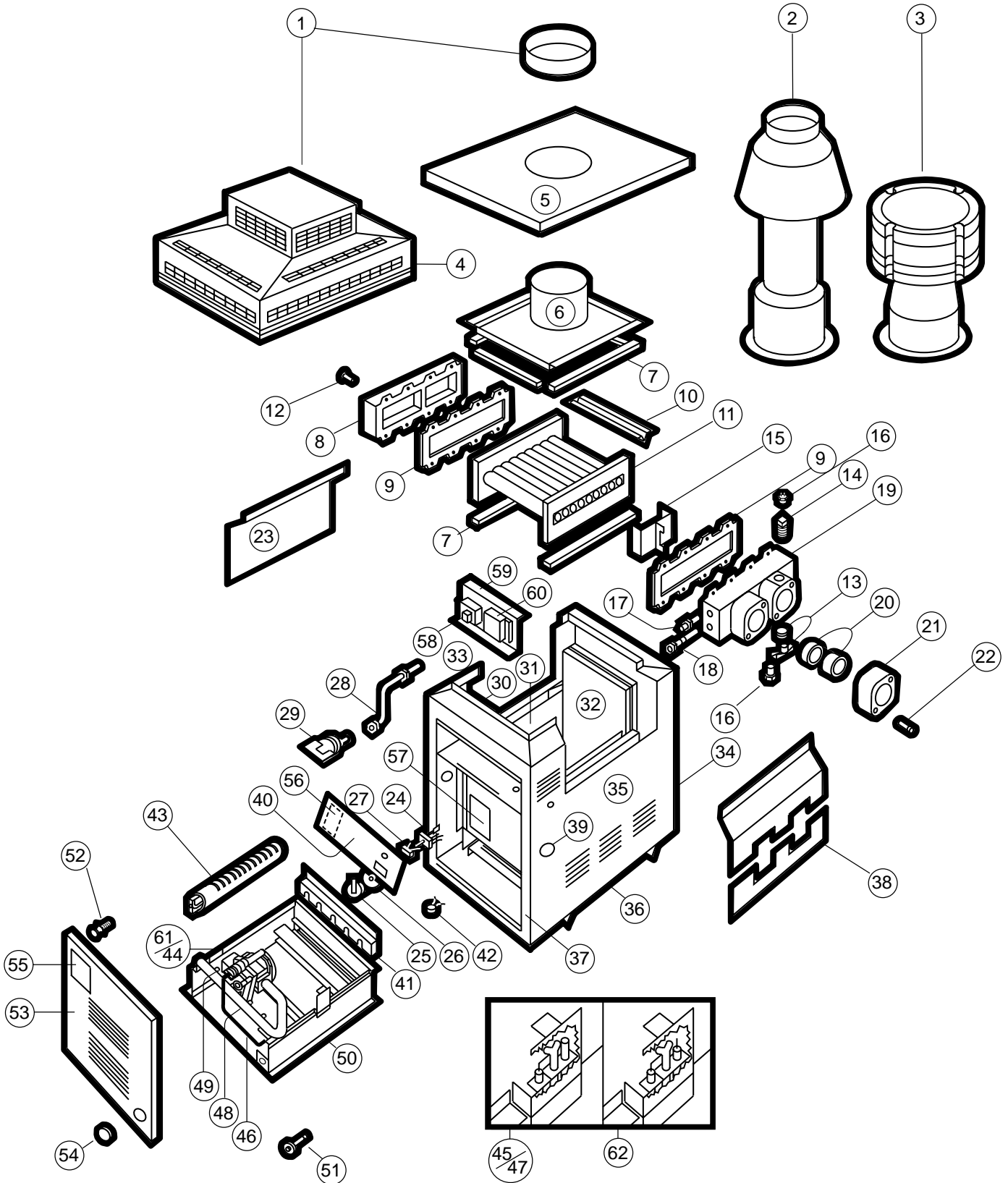




# CZ Models 150-400

HEATER REPLACEMENT PARTS

## Parts Diagram



Heaters



### Parts Listing

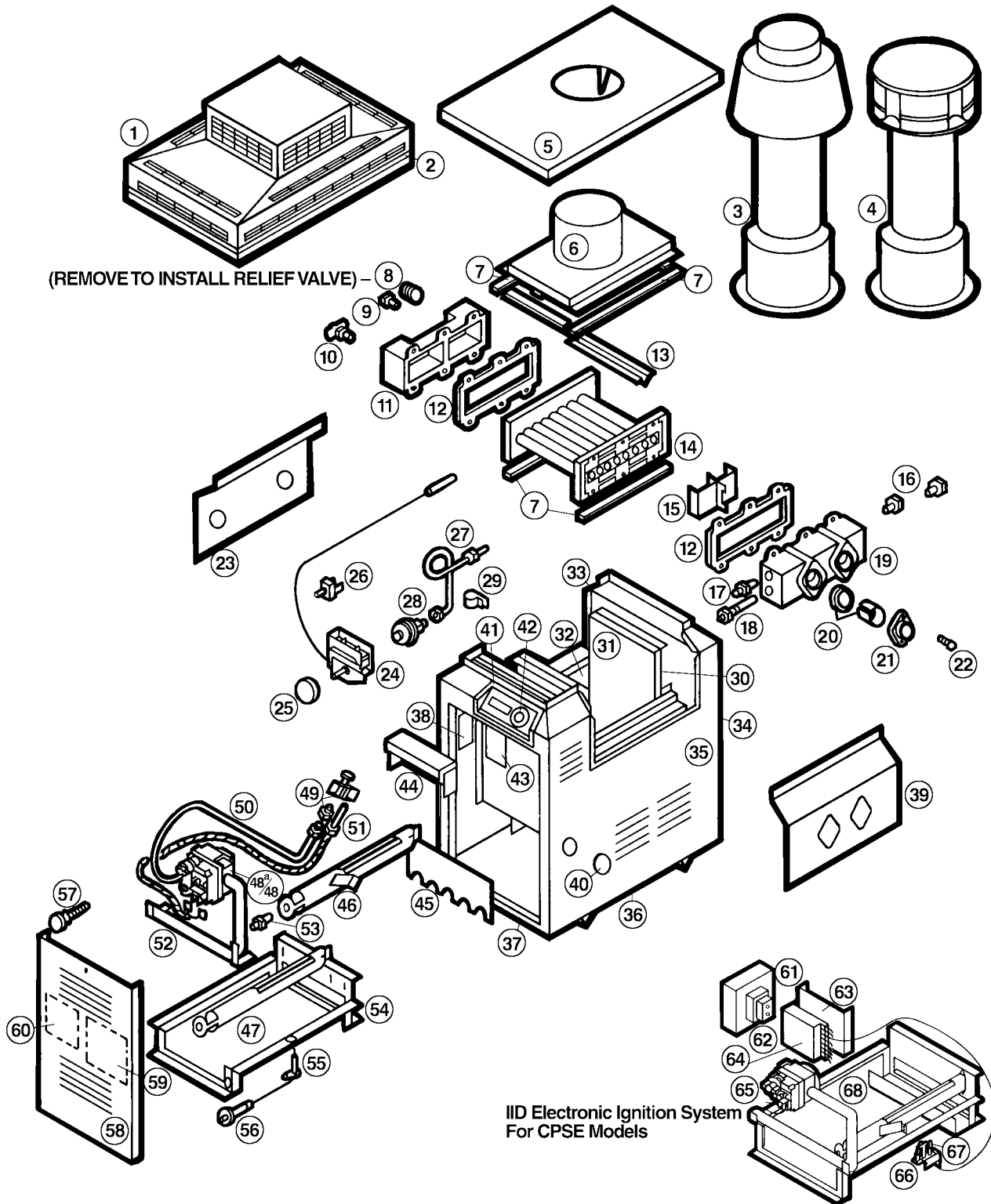
Ref. No.	Part Number	Description	Ref. No.	Part Number	Description	Ref. No.	Part Number	Description
1		DHO-Vent	37	CZXJKF1200	Jacket Front - 200	62	CHXPBR1933	IID Pilot Assembly - Natural
2		DHI-Vent	37	CZXJKF1250	Jacket Front - 250	62	CHXPBR1934	IID Pilot Assembly - Propane
3		HWS-Vent	37	CZXJKF1300	Jacket Front - 300			
4	CZXPST1931	Pin Stripe Tape - 150 - 300	37	CZXJKF1400	Jacket Front - 400	Ass'y	CHXBDA1153	IID Burner Ass'y - 150 Natural
4	CZXPST1932	Pin Stripe Tape - 400	38	CZXKAC1930	Right Access Cover (2 Pcs.)	Incl.	CHXBDA1203	IID Burner Ass'y - 200 Natural
5	CZXJKT1150	Jacket Top Assembly - 150	39	CHXGLC1930	Hole Cover	43	CHXBDA1253	IID Burner Ass'y - 250 Natural
5	CZXJKT1200	Jacket Top Assembly - 200	40	CZXCPA1150	Control Panel Assembly - 150	46	CHXBDA1303	IID Burner Ass'y - 300 Natural
5	CZXJKT1250	Jacket Top Assembly - 250	40	CZXCPA1200	Control Panel Assembly - 200	48	CHXBDA1403	IID Burner Ass'y - 400 Natural
5	CZXJKT1300	Jacket Top Assembly - 300	40	CZXCPA1250	Control Panel Assembly - 250	49	CHXBDA1154	IID Burner Ass'y - 150 Propane
5	CZXJKT1400	Jacket Top Assembly - 400	40	CZXCPA1300	Control Panel Assembly - 300	50	CHXBDA1204	IID Burner Ass'y - 200 Propane
6	CHXFCA1150	Flue Collector Assembly - 150	40	CZXCPA1400	Control Panel Assembly - 400	61	CHXBDA1254	IID Burner Ass'y - 250 Propane
6	CHXFCA1200	Flue Collector Assembly - 200	41	CHXFLG1150	Flame Guard - 150	62	CHXBDA1304	IID Burner Ass'y - 300 Propane
6	CHXFCA1250	Flue Collector Assembly - 250	41	CHXFLG1200	Flame Guard - 200		CHXBDA1404	IID Burner Ass'y - 400 Propane
6	CHXFCA1300	Flue Collector Assembly - 300	41	CHXFLG1250	Flame Guard - 250			
6	CHXFCA1400	Flue Collector Assembly - 400	41	CHXFLG1300	Flame Guard - 300			
7	CHXINF1930	Flue Sealing Material	41	CHXFLG1400	Flame Guard - 400			
8	CZXRHD1930	Rear Header Ass'y w/o Gasket	42	CHXTLS1930	Temperature Limiter Switch			
9	CHXGKT1930	Header Gasket (Set of 2)	43	CHXBNR1930	Main Burner			† Replaced upon return of damaged plate.
10	CHXBFL1150	V-Baffles - 150	44	CHXVAL1931	Gas Val. Nat. MV CZ150 thru 300			
10	CHXBFL1200	V-Baffles - 200	44	CHXVAL1935	Gas Valve Nat. MV CZ400			
10	CHXBFL1250	V-Baffles - 250	44	CHXVAL1932	Gas Valve Propane All Models			Note: IID Refers to Electronic Ignition System.
10	CHXBFL1300	V-Baffles - 300	45	CHXPBR1931	Pilot w/Orifice-Natural Millivolt			
10	CHXBFL1400	V-Baffles - 400	45	CHXPBR1932	Pilot w/Orifice-Propane Millivolt			
11	CHXHEX1150	Heat Exchanger Only - 150	46	CHXPTB1930	Pilot Tube w/Fittings			
11	CHXHEX1200	Heat Exchanger Only - 200	47	CHXGEN1930	Pilot Generator			
11	CHXHEX1250	Heat Exchanger Only - 250	48	CHXMAN1150	Gas Manifold - 150			
11	CHXHEX1300	Heat Exchanger Only - 300	48	CHXMAN1200	Gas Manifold - 200			
11	CHXHEX1400	Heat Exchanger Only - 400	48	CHXMAN1250	Gas Manifold - 250			
12	CHXBLT1938	Header Bolts (8 Pcs)	48	CHXMAN1300	Gas Manifold - 300			
13	CHXPLG1930	3/4" Drain Plug	48	CHXMAN1400	Gas Manifold - 400			
14	CHXDRV1930	Drain Valve	49	CHXBON1930	Main Burner Orifice - Natural			
15	CZXBYP1930	One Piece By-Pass 150-400	49	CHXBOP1930	Main Burner Orifice - Propane			
16	CZXHLI1930	Immersion Hi-Limit (2 Pcs.)	50	CHXBTF1150	Burner Tray Frame - 150			
17	CHXPSA1930	Pressure Switch Adapter	50	CHXBTF1200	Burner Tray Frame - 200			
18	CHXTBW1930	Thermostat Bulb Well	50	CHXBTF1250	Burner Tray Frame - 250			
19	CZXFHD1930	Front Header Only	50	CHXBTF1300	Burner Tray Frame - 300			
13-22	CZXFHA1930	Front Header Assembly	50	CHXBTF1400	Burner Tray Frame - 400			
20	CZXFCA1930	Flange Compression Gasket (2)	51	CHXMSI1930	Manual Spark Ignition Clicklite			
21	CZXFGL1930	Flange (Set of 2)	43-51	CHXBDA1151	MV Bnr. Dwr. Ass'y - 150 Nat.			
22	CHXBLT1934	Flange Bolts (4 Pcs.)	43-51	CHXBDA1201	MV Bnr. Dwr. Ass'y - 200 Nat.			
8-22	CZXHXA1150	Heat Exchanger Ass'y - 150	43-51	CHXBDA1251	MV Bnr. Dwr. Ass'y - 250 Nat.			
8-22	CZXHXA1200	Heat Exchanger Ass'y - 200	43-51	CHXBDA1301	MV Bnr. Dwr. Ass'y - 300 Nat.			
8-22	CZXHXA1250	Heat Exchanger Ass'y - 250	43-51	CHXBDA1401	MV Bnr. Dwr. Ass'y - 400 Nat.			
8-22	CZXHXA1300	Heat Exchanger Ass'y - 300	43-51	CHXBDA1152	MV Bnr. Dwr. Ass'y - 150 Prop.			
8-22	CZXHXA1400	Heat Exchanger Ass'y - 400	43-51	CHXBDA1202	MV Bnr. Dwr. Ass'y - 200 Prop.			
23	CZXLAC1930	Left Access Cover	43-51	CHXBDA1252	MV Bnr. Dwr. Ass'y - 250 Prop.			
24	CHXTST1930	Thermostat w/o Knob	43-51	CHXBDA1302	MV Bnr. Dwr. Ass'y - 300 Prop.			
25	CHXTSK1930	Thermostat Knob	43-51	CHXBDA1402	MV Bnr. Dwr. Ass'y - 400 Prop.			
26	CHXTDL1930	Thermostat Lock Dial	52	CHXDSW1930	Knurled Head Door Screw			
27	CHXTSW1930	"On/Off" Switch	53	CZXJKD1150	Jacket Door - 150			
28	CHXPST1930	Pressure Switch Tube	53	CZXJKD1200	Jacket Door - 200			
29	CHXPRS1930	Pressure Switch	53	CZXJKD1250	Jacket Door - 250			
30	CHXFTF1150	FireTile™ Front - 150 (1)	53	CZXJKD1300	Jacket Door - 300			
30	CHXFTF1200	FireTile™ Front - 200 (1)	53	CZXJKD1400	Jacket Door - 400			
30	CHXFTF1250	FireTile™ Front - 250 (1)	54	CHXCVP1930	Clearview Pilot Port			
30	CHXFTF1300	FireTile™ Front - 300 (1)	55	CHXLIS1930	Lighting Instructions			
30	CHXFTF1400	FireTile™ Front - 400 (1)	56	CZXWID1930	Wiring Diagram Single T'stat MV			
31	CHXFTS1930	FireTile™ Side - All (1)	56	CZXWID1931	Wiring Diagram Dual T'stat MV			
32	CHXFTB1150	FireTile™ Back - 150 (1)	56	CZXWID1933	Wiring Diagram Single T'stat IID			
32	CHXFTB1200	FireTile™ Back - 200 (1)	56	CZXWID1934	Wiring Diagram Dual T'stat IID			
32	CHXFTB1250	FireTile™ Back - 250 (1)	†57	CZXDAP1930	Data Plate			
32	CHXFTB1300	FireTile™ Back - 300 (1)		CZXDTK1150	Dual Thermostat Kit - 150			
32	CHXFTB1400	FireTile™ Back - 400 (1)		CZXDTK1200	Dual Thermostat Kit - 200			
33	CZXJKL1930	Jacket Left Side - All		CZXDTK1250	Dual Thermostat Kit - 250			
34	CZXJKB1150	Jacket Back - 150		CZXDTK1300	Dual Thermostat Kit - 300			
34	CZXJKB1200	Jacket Back - 200		CZXDTK1400	Dual Thermostat Kit - 400			
34	CZXJKB1250	Jacket Back - 250		CHXTSW1931	3-Way Toggle Switch			
34	CZXJKB1300	Jacket Back - 300		CHXRLV1930	Relief Valve			
34	CZXJKB1400	Jacket Back - 400						<b>ELECTRONIC IGNITION</b>
35	CZXJKR1930	Jacket Right Side - All	58	CHXTRF1930	Dual Voltage Transformer			
36	CZXJBM1150	Jacket Bottom - 150	59	CHXMMB1930	Module Mounting Bracket			
36	CZXJBM1200	Jacket Bottom - 200	60	CHXMOD1931	Ignition Module - Natural			
36	CZXJBM1250	Jacket Bottom - 250	60	CHXMOD1932	Ignition Module - Propane			
36	CZXJBM1300	Jacket Bottom - 300	61	CHXVAL1933	IID Gas Val. -Nat. CZ150 thru 250			
36	CZXJBM1400	Jacket Bottom - 400	61	CHXVAL1936	IID Gas Val. -Nat. CZ300 & 400			
37	CZXJKF1150	Jacket Front - 150	61	CHXVAL1934	IID Gas Valve-Prop. All Models			



# CPS-CPSE Models 520-1820

HEATER REPLACEMENT PARTS

## Parts Diagram



Heaters

# CPS-CPSE Models 520-1820

HEATER REPLACEMENT PARTS



## Parts Listing

Ref. No.	Part Number	Description	Ref. No.	Part Number	Description	Ref. No.	Part Number	Description
1	HT-Vent		36	CZXJBA1709	Jacket Bottom - 1120		CZXWIR6503	"On-Off" to Pres. Sw. Wire (BR)
2	CZXPST6404	Pin Stripe Tape - 520 - 1320	36	CZXJBA1710	Jacket Bottom - 1320		CZXWIR6500	Thermostat Wire to TH (BK)
2	CZXPST6405	Pin Stripe Tape - 1820	36	CZXJBA1711	Jacket Bottom - 1820		CZXWIR9100	TH to TST Harness (Y) (BK)
3	PV-Vent		37	CZXJKF2518	Jacket Front - 520		CZXWHA6003	Wire Harness Kit
4	VC-Vent		37	CZXJKF2517	Jacket Front - 720			<b>CPSE IGNITION PARTS</b>
5	CZXJKT1029	Jacket Top Assembly - 520	37	CZXJKF2516	Jacket Front - 920	61	CZXJBX3205	Junction Box Assembly
5	CZXJKT1030	Jacket Top Assembly - 720	37	CZXJKF2515	Jacket Front - 1120	62	CZXTRF4013	Dual Voltage Transformer
5	CZXJKT1031	Jacket Top Assembly - 920	37	CZXJKF2514	Jacket Front - 1320	63	CZXMMB4604	Module Mounting Bracket-Nat.
5	CZXJKT1032	Jacket Top Assembly-1120	37	CZXJKF2513	Jacket Front - 1820	63	CZXMMB4508	Module Mounting Bracket-Prop.
5	CZXJKT1033	Jacket Top Assembly -1320	38	CZXBFL3804	Wind Baffle - 1820	64	CHXMOD1931	Ignition Module-Natural
5	CZXJKT1034	Jacket Top Assembly -1820	39	CZXJKT5201	Right Access Cover	64	CHXMOD1932	Ignition Module-Propane
6	CZXFCA3372	Flue Collector Assembly - 520	40	CHXGLC1930	Hole Cover	65	CZXVAL4008	IID Gas Valve-Natural
6	CZXFCA3373	Flue Collector Assembly - 720	41	CZXCPA2808	Control Panel Assembly	65	CZXVAL4012	IID Gas Valve-Propane
6	CZXFCA3374	Flue Collector Assembly - 920	42	CZXTDL0102	Thermostat Lock Dial	66	CZXPBR0816	IID Pilot Assembly-Natural
6	CZXFCA3375	Flue Collector Assembly - 1120	†43	CZXDAP9102	Data Plate	66	CZXPBR0713	IID Pilot Assembly-Propane
6	CZXFCA3376	Flue Collector Assembly - 1320	44	CZXJCB0706	Control Box Cover - 520 - 920	67	CZXFLS0823	Flame Sensor
6	CZXFCA3377	Flue Collector Assembly - 1820	44	CZXJCB0707	Control Box Cover - 1120-1820	68	CZXBNR3994	IID Burner Tray Frame - 520
7	CZXINS0001	Inswool Insulation - 100"	45	CZXFLG0906	Flame Guard - 520	68	CZXBNR3995	IID Burner Tray Frame - 720
8	CZXPLG1930	3/4" Drain Plug	45	CZXFLG0905	Flame Guard - 720	68	CZXBNR3996	IID Burner Tray Frame - 920
9	CZXBTL6603	Header Bolts (6 Pcs)	45	CZXFLG0904	Flame Guard - 920	68	CZXBNR3997	IID Burner Tray Frame - 1120
10	CZXDRV6802	3/4" Drain Valve	45	CZXFLG0903	Flame Guard - 1120	68	CZXBNR3998	IID Burner Tray Frame - 1320
8-10-11	CZXBKT7069	Rear Bucket Assy w/o Gasket	45	CZXFLG0901	Flame Guard - 1820	68	CZXBNR3999	IID Burner Tray Frame - 1820
12	CZXGKT7401	Bucket Gasket (Set of 2)	46	CZXBNR2314	Main Burner w/Pilot Bracket		CZXBDA4138	IID Burner Assy. - 520 Natural
13	CZXBFL3007	"V" Baffles - 520	47	CZXBNR2315	Main Burner		CZXBDA4139	IID Burner Assy. - 720 Natural
13	CZXBFL3008	"V" Baffles - 720	48a	CHXVAL1931	Gas Valve Natural		CZXBDA4140	IID Burner Assy. - 920 Natural
13	CZXBFL3009	"V" Baffles - 920	48	CHXVAL1932	Gas Valve Propane		CZXBDA4141	IID Burner Assy. - 1120 Natural
13	CZXBFL3010	"V" Baffles - 1120	49	CZXPBR0806	Pilot w/Orifice-Natural		CZXBDA4142	IID Burner Assy. - 1320 Natural
13	CZXBFL3011	"V" Baffles - 1320	49	CZXPBR0807	Pilot w/Orifice-Propane		CZXBDA4143	IID Burner Assy. - 1820 Natural
13	CZXBFL3012	"V" Baffles - 1820	50	CZXPB0900	Pilot Tube w/Fittings		CZXBDA4144	IID Burner Assy. - 520 Propane
14	CZXHEX7106	Heat Exchanger Only - 520	51	CHXGEN1930	Pilot Generators		CZXBDA4145	IID Burner Assy. - 720 Propane
14	CZXHEX7107	Heat Exchanger Only - 720	52	CZXMAN0406	Gas Manifold - 520		CZXBDA4146	IID Burner Assy. - 920 Propane
14	CZXHEX7108	Heat Exchanger Only - 920	52	CZXMAN0407	Gas Manifold - 720		CZXBDA4147	IID Burner Assy. - 1120 Propane
14	CZXHEX7109	Heat Exchanger Only - 1120	52	CZXMAN0408	Gas Manifold - 920		CZXBDA4148	IID Burner Assy. - 1320 Propane
14	CZXHEX7110	Heat Exchanger Only - 1320	52	CZXMAN0409	Gas Manifold - 1120		CZXBDA4149	IID Burner Assy. - 1820 Propane
14	CZXHEX7111	Heat Exchanger Only - 1820	52	CZXMAN0410	Gas Manifold - 1320			<b>CPSE WIRES NOT SHOWN:</b>
15	CZBYBP6812	One Piece By-Pass	52	CZXMAN0411	Gas Manifold - 1820		CZXWIR6000	Trans Wire to TR (BR)
16	CZXHLI9402	Immersion HI-Limit (Single Unit)	53	CZXORF0605	Main Burner Orifice-Natural		CZXWIR6001	Trans Wire to Pressure Sw.(W)
17	CHXPSA1930	Pressure Switch Adapter	53	CZXORF0606	Main Burner Orifice-Propane		CZXWIR6004	High Limit Wire(R)
18	CHXTBW1930	Thermostat Bulb Well	54	CZXBNR4020	Burner Tray Frame - 520		CZXWIR6605	High Limit Jumper (V)
19	CZXBKT7027	Front Bucket Only	54	CZXBNR4021	Burner Tray Frame - 720		CZXWIR6005	High Limit Jumper (B)
15-22	CZXBKT7068	Front Bucket Assembly	54	CZXBNR4023	Burner Tray Frame - 1120		CZXWIR6501	"On-Off" Switch Wire (GY)
20	CZXGKT7406	Flange Compression Gasket (2)	54	CZXBNR4024	Burner Tray Frame - 1320		CZXWIR6500	Thermostat Wire to TH (BK)
21	CZXBKT7003	Flange (Set of 2)	54	CZXBNR4025	Burner Tray Frame - 1820		CZXWIR4502	Gas Valve to PV (BL)
22	CZXBTL6604	Flange Bolts (4 Pcs)	55	CZXETD0834	Electrode w/Wire		CZXWIR6506	Sensor Wire to Sensor(W)
8-22	CZXHEX7150	Heat Exchanger Assy. - 520	56	CHXMSI1930	Manual Spark Ignition Clicklite		CZXWIR6504	Gas Valve TH to MV (O)
8-22	CZXHEX7151	Heat Exchanger Assy. - 720	46-56	CZXBDA4126	Burner Dwr. Assy. - 520 Nat.		CZXWIR7100	Ground Wire Natural Only (G)
8-22	CZXHEX7152	Heat Exchanger Assy. - 920	46-56	CZXBDA4128	Burner Dwr. Assy. - 920 Nat.		CZXWHA6002	Wire Harness Kit
8-22	CZXHEX7153	Heat Exchanger Assy. - 1120	46-56	CZXBDA4129	Burner Dwr. Assy. - 1120 Nat.			
8-22	CZXHEX7154	Heat Exchanger Assy. - 1320	46-56	CZXBDA4130	Burner Dwr. Assy. - 1320 Nat.	★	CZXCNK5922	Conversion Kit Prop. to Nat.
8-22	CZXHEX7155	Heat Exchanger Assy. - 1820	46-56	CZXBDA4131	Burner Dwr. Assy. - 1820 Nat.	★	CZXCNK5923	Conversion Kit Nat. to Prop.
23	CZXJKT5202	Left Access Cover	46-56	CZXBDA4132	Burner Dwr. Assy. - 520 Prop.		CZXDTK1909	Dual Thermostat Kit
24	CZXTST1907	Thermostat w/o Knob	46-56	CZXBDA4133	Burner Dwr. Assy. - 720 Prop.		CZXLBL6001	Dual Thermostat Label Only
25	CZXTSK2003	Thermostat Knob	46-56	CZXBDA4134	Burner Dwr. Assy. - 920 Prop.		CZXTSW1906	3-Way Toggle Switch
26	CZXTSW1904	"On-Off" Switch	46-56	CZXBDA4135	Burner Dwr. Assy. - 1120 Prop.		CHXRLV1930	Relief Valve
27	CZXPST1200	Pressure Switch Tube	46-56	CZXBDA4136	Burner Dwr. Assy. - 1320 Prop.			
28	CHXPRS1930	Pressure Switch	46-56	CZXBDA4137	Burner Dwr. Assy. - 1820 Prop.			
29	CZXPSC6402	Pressure Switch Clamp	57	CHXDWSV1930	Knurled Head Door Screw			
30	CZXINS0019	Insulation Blanket	58	CZXJKD5755	Jacket Door CPS - 520			
31	CZXINS0005	FireTile™ Front/Rear - 520 (1)	58	CZXJKD5756	Jacket Door CPS - 720	★	Not for CPSE (Electronic Ignition) Models.	
31	CZXINS0006	FireTile™ Front/Rear - 720 (1)	58	CZXJKD5757	Jacket Door CPS - 920			
31	CZXINS0007	FireTile™ Front/Rear - 920 (1)	58	CZXJKD5758	Jacket Door CPS - 1120			
31	CZXINS0008	FireTile™ Front/Rear - 1120 (1)	58	CZXJKD5759	Jacket Door CPS - 1320			
31	CZXINS0009	FireTile™ Front/Rear - 1320 (1)	58	CZXJKD5760	Jacket Door CPS - 1820			
31	CZXINS0010	FireTile™ Front/Rear - 1820 (1)	58	CZXJKD5731	Jacket Door CPSE - 520			
32	CZXINS0011	FireTile™ Side - All (1)	58	CZXJKD5732	Jacket Door CPSE - 720			
33	CZXJKL0700	Jacket Left Side - All	58	CZXJKD5733	Jacket Door CPSE - 920			
34	CZXJKB5702	Jacket Back - 520	58	CZXJKD5734	Jacket Door CPSE - 1120			
34	CZXJKB5703	Jacket Back - 720	58	CZXJKD5735	Jacket Door CPSE - 1320			
34	CZXJKB5704	Jacket Back - 920	58	CZXJKD5736	Jacket Door CPSE - 1820			
34	CZXJKB5705	Jacket Back - 1120	59	CZXLBL9100	Lighting Instructions			
34	CZXJKB5706	Jacket Back - 1320	60	CZXWID7303	Wiring Diagram			
34	CZXJKB5707	Jacket Back - 1820			<b>CPSE WIRES NOT SHOWN:</b>			
35	CZXJKR0600	Jacket Right Side - All		CZXWIR6505	High Limit Jumper Wire (V)			
36	CZXJBA1706	Jacket Bottom - 520		CZXWIR6606	High Limit Lead Wire (BL)			
36	CZXJBA1707	Jacket Bottom - 720		CZXWIR6004	High Limit Lead Wire (R)			
36	CZXJBA1708	Jacket Bottom - 920		CZXWIR6501	"On-Off" Switch Wire (GY)			

† Replaced upon return of damaged plate.

Note: IID Refers to Electronic Ignition System.

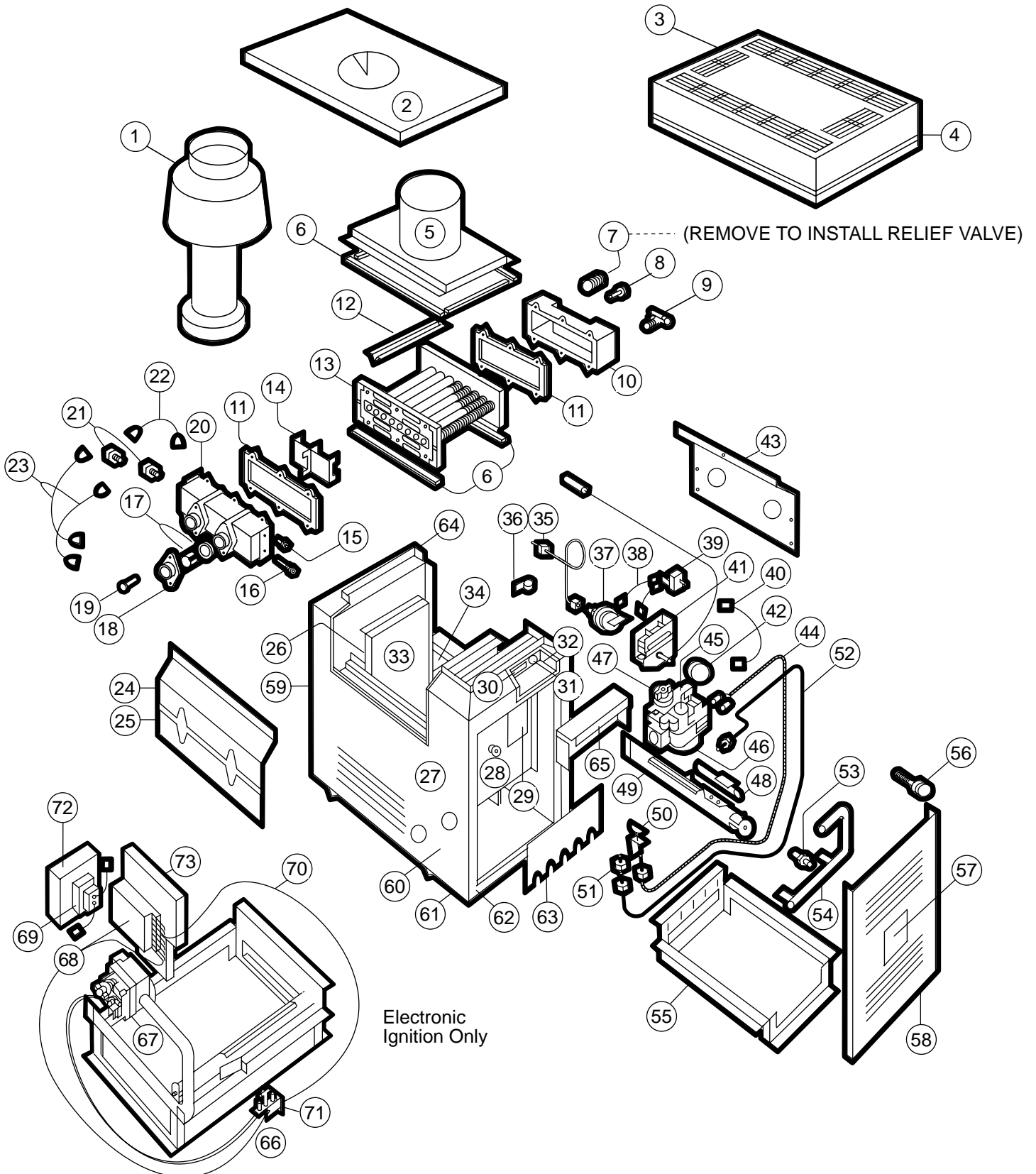
Heaters



# PSG II Models 110-355

HEATER REPLACEMENT PARTS

## Parts Diagram



Heaters

# PSG II Models 110-355

HEATER REPLACEMENT PARTS



## Parts Listing

Ref. No.	Part Number	Description	Ref. No.	Part Number	Description	Ref. No.	Part Number	Description
1		PV Vent	44	CHXGEN1930	Pilot Generator	65	CZXJCB0707	Control Box Cover - 215 - 355
2	CZXJKT1006	Jacket Top Assembly - 110	45	CZXWIC3622	"Y" Connector	66	CZXPBR0816	Pilot Burner Natural IID
2	CZXJKT1007	Jacket Top Assembly - 150	46	CHXVAL1931	Gas Valve - 110-355 Natural	66	CZXPBR0713	Pilot Burner Propane IID
2	CZXJKT1008	Jacket Top Assembly - 180	46	CHXVAL1932	Gas Valve - 110-355 Propane	67	CZXVAL4008	Gas Valve Nat. IID 110 - 355
2	CZXJKT1009	Jacket Top Assembly - 215	46		See Electronic Ign. For IID Val.	67	CZXVAL4012	Gas Valve Prop. IID 110 - 355
2	CZXJKT1010	Jacket Top Assembly - 255	47	Order (Val. Assy)	Gas Valve Knob	68	CHXMOD1931	Ignition Module
2	CZXJKT1011	Jacket Top Assembly - 355	48	CZXEZL2303	E-Z Lite Tube	68	CHXMOD1932	Ignition Module RS (Prop. Only)
3		HTV II Vent (See Heater Prices)	49	CZXBNR2314	Main Burner w/Bracket Natural	69	CZXTRF4002	Transformer
4	CZXPST6402	Pin Stripe Tape (2 Pcs. 55") - All	49	CZXBNR2313	Main Burner w/Bracket Propane	70	CZXWIR6506	Sensor Wire
5	CZXFCA3330	Flue Collector Assembly - 110	49A	CZXBNR2315	Main Burner Natural	71	CZXFLS0823	Flame Sensor
5	CZXFCA3331	Flue Collector Assembly - 150	49A	CZXBNR2312	Main Burner Propane	72	CZXJXB3205	Junction Box Assembly
5	CZXFCA3332	Flue Collector Assembly - 180	50	CZXPBR0806	Pilot Burner Nat. Honeywell	73	CZXMMB4604	Module Mounting Bracket
5	CZXFCA3333	Flue Collector Assembly - 215	50	CZXPBR0807	Pilot Burner Prop. Honeywell		CZXBDA3956	IID Burner Drawer Assy. - 110
5	CZXFCA3334	Flue Collector Assembly - 255	51	CZXORF0508	Pilot Orifice Nat. Honeywell		CZXBDA3957	IID Burner Drawer Assy. - 150
5	CZXFCA3335	Flue Collector Assembly - 355	51	CZXORF0509	Pilot Orifice Prop. Honeywell		CZXBDA3958	IID Burner Drawer Assy. - 180
6	CZXINS0001	Kaowool Insulation 84"	52	CZXPBT0900	Pilot Tube with Fittings		CZXBDA3959	IID Burner Drawer Assy. - 215
7	CHXPLG1930	3/4" Brass Drain Plug	53	CZXORF0611	Main Burner Orifice Propane		CZXBDA3960	IID Burner Drawer Assy. - 255
8	CZXBTLT6603	Header Bolts (6 Pcs.)	54	CZXMAN0406	Gas Manifold - 110		CZXBDA3961	IID Burner Drawer Assy. - 355
9	CZXDRV6802	Drain Valve 3/4"	54	CZXMAN0407	Gas Manifold - 150			<b>NOT SHOWN</b>
7-9-10	CZXBKT7051	Rear Bucket Assembly (Excluding Gasket)	54	CZXMAN0408	Gas Manifold - 180		CZXWIR6404	Wire 18" Orange
			54	CZXMAN0409	Gas Manifold - 215		CZXWIR6507	Wire 20" Green
11	CZXGKT7401	Bucket Gasket Set of 2	54	CZXMAN0410	Gas Manifold - 255		CZXWIR6000	Wire 29" Black
12	CZXBFL3007	"V" Baffles 110 (6 Pcs.)	54	CZXMAN0411	Gas Manifold - 355		CZXWIR6001	Wire 10" White
12	CZXBFL3008	"V" Baffles 150 (6 Pcs.)	55	CZXBNR3906	Burner Tray Frame - 110		CZXWIR6002	Wire 18" Red
12	CZXBFL3009	"V" Baffles 180 (6 Pcs.)	55	CZXBNR3907	Burner Tray Frame - 150		CZXWIR4502	Wire 18" Blue
12	CZXBFL3010	"V" Baffles 215 (6 Pcs.)	55	CZXBNR3908	Burner Tray Frame - 180		CZXPSC7512	Carton Assembly - 110
12	CZXBFL3011	"V" Baffles 255 (6 Pcs.)	55	CZXBNR3909	Burner Tray Frame - 215		CZXPSC7513	Carton Assembly - 150
12	CZXBFL3012	"V" Baffles 355 (6 Pcs.)	55	CZXBNR3910	Burner Tray Frame - 255		CZXPSC7514	Carton Assembly - 180
13	CZXHEX7106	Heat Exchanger Only - 110	55	CZXBNR3911	Burner Tray Frame - 355		CZXPSC7515	Carton Assembly - 215
13	CZXHEX7107	Heat Exchanger Only - 150	44-55	CZXBDA3310	Burner Drawer Assy. - 110 Nat.		CZXPSC7516	Carton Assembly - 255
13	CZXHEX7108	Heat Exchanger Only - 180	44-55	CZXBDA3317	Burner Drawer Assy. - 110 Prop.		CZXPSC7517	Carton Assembly - 355
13	CZXHEX7109	Heat Exchanger Only - 215	44-55	CZXBDA3311	Burner Drawer Assy. - 150 Nat.		CZXHTV7519	HTVII Carton - 110
13	CZXHEX7110	Heat Exchanger Only - 255	44-55	CZXBDA3318	Burner Drawer Assy. - 150 Prop.		CZXHTV7520	HTVII Carton - 150
13	CZXHEX7111	Heat Exchanger Only - 355	44-55	CZXBDA3312	Burner Drawer Assy. - 180 Nat.		CZXHTV7521	HTVII Carton - 180
14	CZXBYP6812	One Piece By-Pass	44-55	CZXBDA3319	Burner Drawer Assy. - 180 Prop.		CZXHTV7522	HTVII Carton - 215
15	CHXPSA1930	Pressure Switch Adapter	44-55	CZXBDA3313	Burner Drawer Assy. - 215 Nat.		CZXHTV7523	HTVII Carton - 255
16	CHXTBW1930	Thermostat Bulb Well	44-55	CZXBDA3320	Burner Drawer Assy. - 215 Prop.		CZXHTV7524	HTVII Carton - 355
17	CZXGKT7406	Flange Compress Gkt. Set of 2	44-55	CZXBDA3314	Burner Drawer Assy. - 255 Nat.		CZXCNK5922	Conversion Kit Prop. to Nat.
19	CZXBKT7003	Flanges Set of 2	44-55	CZXBDA3321	Burner Drawer Assy. - 255 Prop.		CZXCNK5923	Conversion Kit Nat. to Prop.
19	CZXBTLT6604	Flange Bolts (4 Pcs.)	44-55	CZXBDA3315	Burner Drawer Assy. - 355 Nat.		CHXRLV1930	Relief Valve
20	CZXBKT7048	Front Bucket Only	44-55	CZXBDA3322	Burner Drawer Assy. - 355 Prop.		CZXPNT1930	Touch-Up Paint Pewter Grey
21	CZXHLI9402	Immersion Hi Limit (Single Unit)	56	CHXDSW1930	Knurled Head Door Screw		CZXTPC2912	Touch-Up Paint Charcoal Grey
14-22	CZXBKT7050	Front Bucket Assembly	57	CZXLID7206	Lighting Instructions		CZXDTK1907	Dual Thermostat Kit
22	CZXWIR6605	Hi Limit Jumper Wire	58	CZXJKD5420	Jacket Door - 110			
23	CZXWIR6606	Hi Limit Lead Wire	58	CZXJKD5421	Jacket Door - 150			
7-22	CZXHEX7112	Heat Exchanger Assembly - 110	58	CZXJKD5422	Jacket Door - 180			
7-22	CZXHEX7113	Heat Exchanger Assembly - 150	58	CZXJKD5423	Jacket Door - 215			
7-22	CZXHEX7114	Heat Exchanger Assembly - 180	58	CZXJKD5424	Jacket Door - 255			
7-22	CZXHEX7115	Heat Exchanger Assembly - 215	58	CZXJKD5425	Jacket Door - 355			
7-22	CZXHEX7116	Heat Exchanger Assembly - 255	59	CZXJKB5702	Jacket Back - 110			
7-22	CZXHEX7117	Heat Exchanger Assembly - 355	59	CZXJKB5703	Jacket Back - 150			
24	CZXJKT5201	Upper Front Access Cover - All	59	CZXJKB5704	Jacket Back - 180			
25	CZXJKT4901	Lower Front Access Cover - All	59	CZXJKB5705	Jacket Back - 215			
26	CZXINS0019	Insulation Blanket	59	CZXJKB5706	Jacket Back - 255			
27	CHXGLC1930	Hole Cover	59	CZXJKB5707	Jacket Back - 355			
28	CZXHYB1700	Bushing	60	CZXJL0700	Jacket Left Side - All			
129	CZXDAP7228	Data Plate	61	CZXJBA1706	Jacket Bottom - 110			
30	CZXNAP2806	Name Plate	61	CZXJBA1707	Jacket Bottom - 150			
31	CZXTDL0102	Thermostat Dial Lock	61	CZXJBA1708	Jacket Bottom - 180			
32	CZXCPA2808	Control Panel Assembly	61	CZXJBA1709	Jacket Bottom - 215			
33	CZXINS0005	FireTile™ Front/Rear - 110 (1Pc.)	61	CZXJBA1710	Jacket Bottom - 255			
33	CZXINS0006	FireTile™ Front/Rear - 150 (1Pc.)	61	CZXJBA1711	Jacket Bottom - 355			
33	CZXINS0007	FireTile™ Front/Rear - 180 (1Pc.)	62	CZXJKF2518	Jacket Front - 110			
33	CZXINS0008	FireTile™ Front/Rear - 215 (1Pc.)	62	CZXJKF2517	Jacket Front - 150			
33	CZXINS0009	FireTile™ Front/Rear - 255 (1Pc.)	62	CZXJKF2516	Jacket Front - 180			
33	CZXINS0010	FireTile™ Front/Rear - 355 (1Pc.)	62	CZXJKF2515	Jacket Front - 215			
34	CZXINS0011	FireTile™ Side Common	62	CZXJKF2514	Jacket Front - 255			
35	CZXPST1200	Pressure Switch Tube w/Fittings	62	CZXJKF2513	Jacket Front - 355			
36	CZXPSC6402	Pressure Switch Tube Clamp	63	CZXFLG0906	Flame Guard - 110			
37	CHXPRS1930	Pressure Switch	63	CZXFLG0905	Flame Guard - 150			
38	CZXWIR6502	"On/Off" Switch Wires	63	CZXFLG0904	Flame Guard - 180			
39	CZXTSW1904	"On/Off" Switch	63	CZXFLG0903	Flame Guard - 215			
40	CZXWIR6500	Control Wire	63	CZXFLG0902	Flame Guard - 255			
41	CZXTST1907	Thermostat	63	CZXFLG0901	Flame Guard - 355			
42	CZXTSK2003	Thermostat Knob	64	CZXJKR0600	Jacket Right Side - All			
43	CZXJKT5101	Rear Access Cover	65	CZXJCB0706	Control Box Cover - 110 - 180			

† Replaced upon return of damaged plate.

Heaters

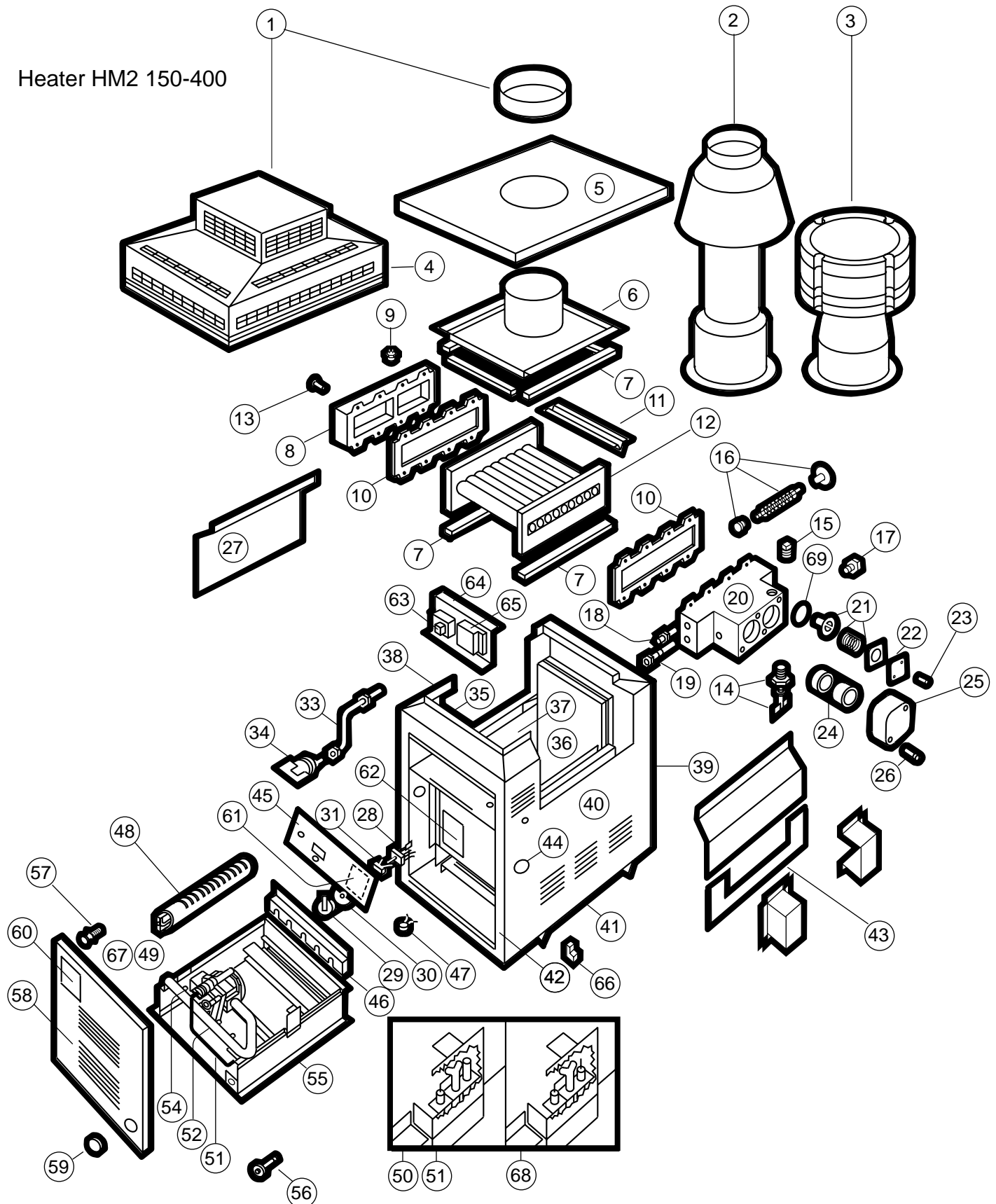


# HeatMaster® HM2 Models 150-400

HEATER REPLACEMENT PARTS

## Parts Diagram

Heater HM2 150-400



Heaters

# HeatMaster® HM2 Models 150-400

HEATER REPLACEMENT PARTS



## Parts Listing

Ref. No.	Part Number	Description	Ref. No.	Part Number	Description	Ref. No.	Part Number	Description
1		DHO-Vent	35	CHXFTF1250	HeatLock™ Front - 250 (1)	48-56	CHXBDA1202	Burner Dwr. Assy. - 200 Prop.
2		DHI-Vent	35	CHXFTF1300	HeatLock™ Front - 300 (1)	48-56	CHXBDA1252	Burner Dwr. Assy. - 250 Prop.
3		HWS-Vent	35	CHXFTF1350	HeatLock™ Front - 350 (1)	48-56	CHXBDA1302	Burner Dwr. Assy. - 300 Prop.
4	CHXPST1931	Pin Stripe Tape - 150 - 300	35	CHXFTF1400	HeatLock™ Front - 400 (1)	48-56	CHXBDA1352	Burner Dwr. Assy. - 350 Prop.
4	CHXPST1932	Pin Stripe Tape - 350 & 400	36	CHXFTS1930	HeatLock™ Side - All (1)	48-56	CHXBDA1402	Burner Dwr. Assy. - 400 Prop.
5	HMXJKT2150	Jacket Top Assembly - 150	37	CHXFTB1150	HeatLock™ Back - 150 (1)	57	CHXDSW1930	Knurled Head Door Screw
5	HMXJKT2200	Jacket Top Assembly - 200	37	CHXFTB1200	HeatLock™ Back - 200 (1)	58	HMXJKD2150	Jacket Door - 150
5	HMXJKT2250	Jacket Top Assembly - 250	37	CHXFTB1250	HeatLock™ Back - 250 (1)	58	HMXJKD2200	Jacket Door - 200
5	HMXJKT2300	Jacket Top Assembly - 300	37	CHXFTB1300	HeatLock™ Back - 300 (1)	58	HMXJKD2250	Jacket Door - 250
5	HMXJKT2350	Jacket Top Assembly - 350	37	CHXFTB1350	HeatLock™ Back - 350 (1)	58	HMXJKD2300	Jacket Door - 300
5	HMXJKT2400	Jacket Top Assembly - 400	37	CHXFTB1400	HeatLock™ Back - 400 (1)	58	HMXJKD2350	Jacket Door - 350
6	CHXFCA1150	Flue Collector Assembly - 150	38	HMXJKL2930	Jacket Left Side - All (1)	58	HMXJKD2400	Jacket Door - 400
6	CHXFCA1200	Flue Collector Assembly - 200	39	HMXJKB2150	Jacket Back - 150	59	CHXCPV1930	Clearview Pilot Port
6	CHXFCA1250	Flue Collector Assembly - 250	39	HMXJKB2200	Jacket Back - 200	60	CHXLIS1930	Lighting Instructions
6	CHXFCA1300	Flue Collector Assembly - 300	39	HMXJKB2250	Jacket Back - 250	61	HMXWID2930	Wire Diagram MV Single T'stat
6	CHXFCA1350	Flue Collector Assembly - 350	39	HMXJKB2300	Jacket Back - 300	61	HMXWID2931	Wire Diagram MV Dual T'stat
6	CHXFCA1400	Flue Collector Assembly - 400	39	HMXJKB2350	Jacket Back - 350	61	HMXWID2933	Wire Diagram IID Single T'stat
7	CHXINF1930	Flue Sealing Material	39	HMXJKB2400	Jacket Back - 400	61	HMXWID2934	Wire Diagram IID Dual T'stat
8	HMXRHD2930	Rear Header	40	HMXJKR2930	Jacket Right Side - All (1)	†62	HMXDAP2930	Data Plate
8	HMXRHD2931	Rear Header (Bronze)	41	HMXJBM2150	Jacket Bottom - 150		HMXWHA2931	Wire Harn. Assy. MV Single T'stat
8, 9	HMXRHA2930	Rear Header Assy w/o Gasket	41	HMXJBM2200	Jacket Bottom - 200		HMXWHA2932	Wire Harn. Assy. MV Dual T'stat
8, 9	HMXRHA2931	Rear Header Assy w/o Gkt. (Bronze)	41	HMXJBM2250	Jacket Bottom - 250		HMXWHA2933	Wire Harn. Assy. IID Single T'stat
9	HMXHLI2932	Imer. Hi-Limit Rear Header 160°	41	HMXJBM2300	Jacket Bottom - 300		HMXWHA2934	Wire Harn. Assy. IID Dual T'stat
10	CHXGKT1930	Header Gasket (set of 2)	41	HMXJBM2350	Jacket Bottom - 350		HMXDTK2150	Dual Thermostat Kit - 150
11	CHXBFL1150	"V" Baffles - 150	41	HMXJBM2400	Jacket Bottom - 400		HMXDTK2200	Dual Thermostat Kit - 200
11	CHXBFL1200	"V" Baffles - 200	42	HMXJKF2150	Jacket Front - 150		HMXDTK2250	Dual Thermostat Kit - 250
11	CHXBFL1250	"V" Baffles - 250	42	HMXJKF2200	Jacket Front - 200		HMXDTK2300	Dual Thermostat Kit - 300
11	CHXBFL1300	"V" Baffles - 300	42	HMXJKF2250	Jacket Front - 250		HMXDTK2350	Dual Thermostat Kit - 350
11	CHXBFL1350	"V" Baffles - 350	42	HMXJKF2300	Jacket Front - 300		HMXDTK2400	Dual Thermostat Kit - 400
11	CHXBFL1400	"V" Baffles - 400	42	HMXJKF2350	Jacket Front - 350		CHXTSW1931	3-Way Toggle Switch
12	CHXHEX1150	Heat Exchanger Only - 150	42	HMXJKF2400	Jacket Front - 400		CHXRLV1930	Relief Valve
12	CHXHEX1200	Heat Exchanger Only - 200	43	HMXRAC2930	Right Access Cover (4pcs.)			<b>ELECTRONIC IGN. PARTS</b>
12	CHXHEX1250	Heat Exchanger Only - 250	44	CHXGLC1930	Hole Cover	63	CHXTRF1930	Dual Voltage Transformer
12	CHXHEX1300	Heat Exchanger Only - 300	45	HMXCPA2150	Control Panel Assembly - 150	64	CHXMMB1930	Module Mounting Bracket
12	CHXHEX1350	Heat Exchanger Only - 350	45	HMXCPA2200	Control Panel Assembly - 200	65	CHXMOD1931	Ignition Module-Natural
12	CHXHEX1400	Heat Exchanger Only - 400	45	HMXCPA2250	Control Panel Assembly - 250	65	CHXMOD1932	Ignition Module-Propane
13	CHXBLT1938	Header Bolts (8 pcs.)	45	HMXCPA2300	Control Panel Assembly - 300	66	CHXGRL1930	Ground Lug
14	CHXDRV1930	3/4" Drain Valve	45	HMXCPA2350	Control Panel Assembly - 350	67	CHXVAL1933	IID Gas Valve-Nat. 150 thru 250
15	CHXPLG1930	3/4" Drain Plug	45	HMXCPA2400	Control Panel Assembly - 400	67	CHXVAL1936	IID Gas Valve-Nat. 300 thru 400
16	HMXBYP2930	By-Pass Assembly	46	CHXFLG1150	Flame Guard - 150	67	CHXVAL1934	IID Gas Valve-Prop. All Models 68
17	HMXHLI2931	Imer. Hi-Limit Front Header 135°	46	CHXFLG1200	Flame Guard - 200		CHXPBR1933	IID Pilot Assembly-Natural
18	CHXPSA1930	Pressure Switch Adapter	46	CHXFLG1250	Flame Guard - 250	68	CHXPBR1934	IID Pilot Assembly-Propane
19	CHXTBW1930	Thermostat Bulb Well	46	CHXFLG1300	Flame Guard - 300			
20	HMXFHD2930	Front Header Only	46	CHXFLG1350	Flame Guard - 350		CHXBDA1153	IID Burner Assy. - 150 Natural
20	HMXFHD2931	Front Header Only (Bronze)	46	CHXFLG1400	Flame Guard - 400		CHXBDA1203	IID Burner Assy. - 200 Natural
21	HMXFCT2930	Flow Control T'stat Assembly	47	CHXTLS1930	Temperature Limiter Switch		CHXBDA1253	IID Burner Assy. - 250 Natural
22	HMXCPL2930	Cover Plate	48	CHXBNA1930	Main Burner		CHXBDA1303	IID Burner Assy. - 300 Natural
22	HMXCPL2931	Cover Plate (Bronze)	49	CHXVAL1931	Gas Valve-Natural 150 thru 350	48	CHXBDA1353	IID Burner Assy. - 350 Natural
23	HMXCPB2930	Cover Plate Bolts (2 pcs.)	49	CHXVAL1935	Gas Valve-Natural 350 & 400	51	CHXBDA1403	IID Burner Assy. - 400 Natural
24	HMXGKT2930	Flange Compression Gasket (2)	49	CHXVAL1932	Gas Valve-Propane All Models	53	CHXBDA1154	IID Burner Assy. - 150 Propane
25	HMXFLG2930	Flange (set of 2)	50	CHXPBR1931	Pilot w/Orifice-Natural	54	CHXBDA1204	IID Burner Assy. - 200 Propane
26	CHXBLT1934	Flange Bolts (4 pcs.)	50	CHXPBR1932	Pilot w/Orifice-Propane	55	CHXBDA1254	IID Burner Assy. - 250 Propane
14-26	HMXFHA2930	Front Header Assembly	51	CHXPTB1930	Pilot Tube w/Fittings	67	CHXBDA1304	IID Burner Assy. - 300 Propane
14-26	HMXFHA2931	Ft. Header Assembly (Bronze)	52	CHXGEN1930	Pilot Generator	68	CHXBDA1354	IID Burner Assy. - 350 Propane
8-26	HMXHXA2150	Heat Exchanger Assy - 150	53	CHXMAN1150	Gas Manifold - 150 (not shown)		CHXBDA1404	IID Burner Assy. - 400 Propane
8-26	HMXHXA2200	Heat Exchanger Assy - 200	53	CHXMAN1200	Gas Manifold - 200 (not shown)	69	HMXGKT2931	Thermostat Gasket
8-26	HMXHXA2250	Heat Exchanger Assy - 250	53	CHXMAN1250	Gas Manifold - 250 (not shown)			
8-26	HMXHXA2300	Heat Exchanger Assy - 300	53	CHXMAN1300	Gas Manifold - 300 (not shown)			
8-26	HMXHXA2350	Heat Exchanger Assy - 350	53	CHXMAN1350	Gas Manifold - 350 (not shown)			
8-26	HMXHXA2400	Heat Exchanger Assy - 400	53	CHXMAN1400	Gas Manifold - 400 (not shown)			
8-26	HMXHXA2151	Heat Ex. Assy - 150 (Bronze)	54	CHXBON1930	Main Burner Orifice-Natural			
8-26	HMXHXA2201	Heat Ex. Assy - 200 (Bronze)	54	CHXBOP1930	Main Burner Orifice-Propane			
8-26	HMXHXA2251	Heat Ex. Assy - 250 (Bronze)	55	CHXBTF1150	Burner Tray Frame - 150			
8-26	HMXHXA2302	Heat Ex. Assy - 300 (Bronze)	55	CHXBTF1200	Burner Tray Frame - 200			
8-26	HMXHXA2352	Heat Ex. Assy - 350 (Bronze)	55	CHXBTF1250	Burner Tray Frame - 250			
8-26	HMXHXA2402	Heat Ex. Assy - 400 (Bronze)	55	CHXBTF1300	Burner Tray Frame - 300			
27	HMXLAC2930	Left Access Cover	55	CHXBTF1350	Burner Tray Frame - 350			
28	CHXTST1930	Thermostat w/o Knob	55	CHXBTF1400	Burner Tray Frame - 400			
29	CHXTSK1930	Thermostat Knob	56	CHXMSI1930	Manual Spark Ignition Clickite™			
30	CHXTDL1930	Thermostat Lock Dial	48-56	CHXBDA1151	Burner Dwr. Assy. - 150 Natural			
31	CHXTSW1930	"On/Off" Switch	48-56	CHXBDA1201	Burner Dwr. Assy. - 200 Natural			
32	CHXLED1930	LED Indicator Light (not shown)	48-56	CHXBDA1251	Burner Dwr. Assy. - 250 Natural			
33	CHXPST1930	Pressure Switch Tube	48-56	CHXBDA1301	Burner Dwr. Assy. - 300 Natural			
34	CHXPRS1930	Pressure Switch	48-56	CHXBDA1351	Burner Dwr. Assy. - 350 Natural			
35	CHXFTF1150	HeatLock™ Front - 150 (1)	48-56	CHXBDA1401	Burner Dwr. Assy. - 400 Natural			
35	CHXFTF1200	HeatLock™ Front - 200 (1)	48-56	CHXBDA1152	Burner Dwr. Assy. - 150 Prop.			

Assy Incl.

† Replaced upon return of damaged plate.

Note: IID Refers to Electronic Ignition System.

Heaters

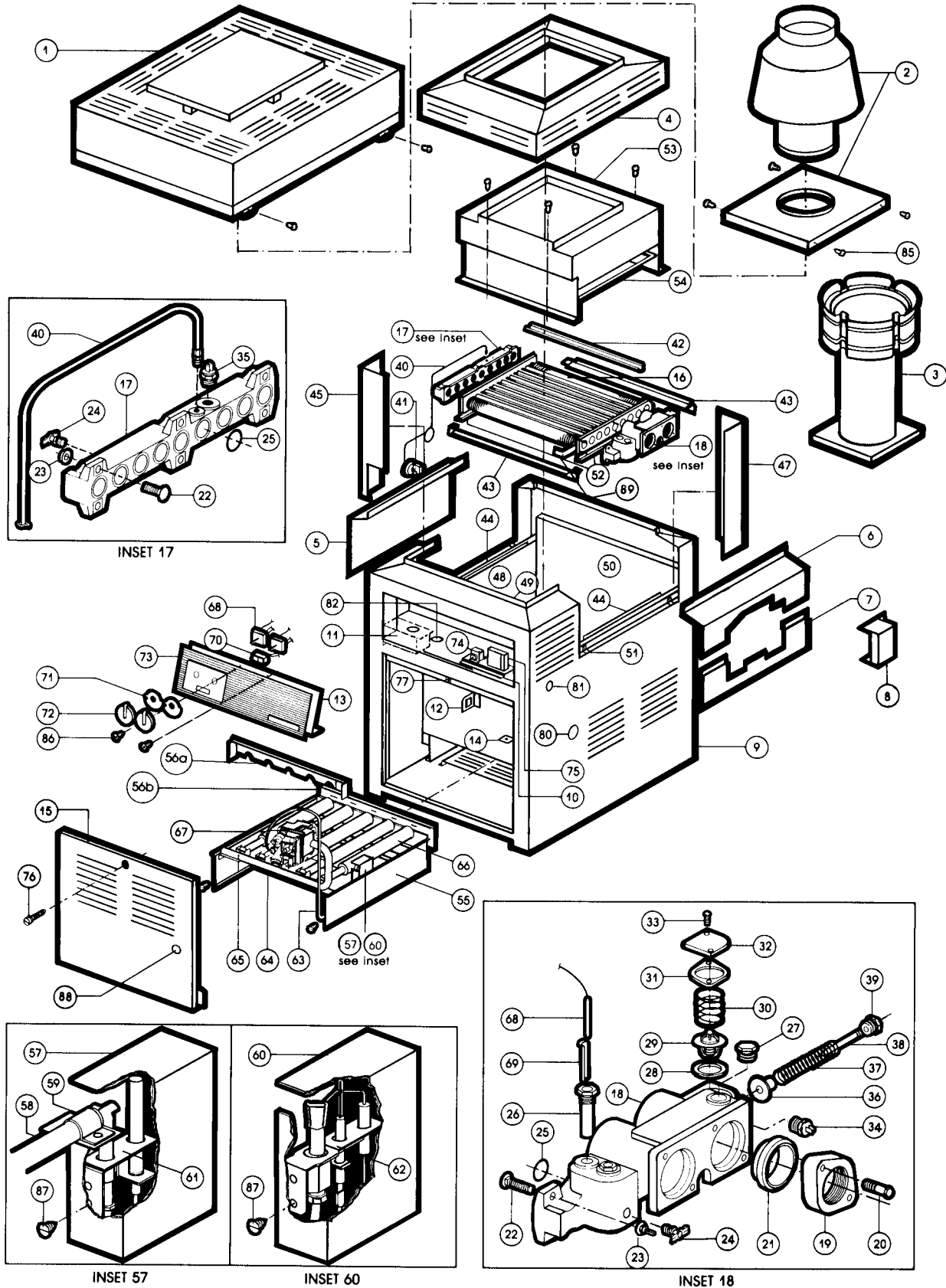




# HeatMaster® HM2 Models 280-406

## HEATER REPLACEMENT PARTS

### Parts Diagram



Heaters

# HeatMaster® HM2 Models 280-406

HEATER REPLACEMENT PARTS



## Parts Listing

Ref. No.	Part No.	Description	Ref. No.	Part No.	Description
<b>VENT SYSTEM</b>			48	HX350RS2	Refractory - Side (Set of 2)
1	H280DHO	Drafthood - Outdoor	49	HX280RF	Refractory - Front
1	H350DHO	Drafthood - Outdoor	50	HX280RR	Refractory - Rear
1	H406DHO	Drafthood - Outdoor	51	HX350BKTCCA	Bracket, Support - Combustion Chamber (Set of 4)
2	H280DHI	Drafthood - Indoor Stack & Adapter (Kit Only)	52	HX350GS10	Gasket - Sealing - Heat Exchanger
2	H350DHI	Drafthood - Indoor Stack & Adapter (Kit Only)	53	HX280FC	Flue Collector
2	H406DHI	Drafthood - Indoor Stack & Adapter (Kit Only)	53	HX350FC	Flue Collector
3	H280HWS	High Wind Stack	53	HX406FC	Flue Collector
3	H350HWS	High Wind Stack	54	HX350GS10	Gasket - Sealing (Flue Collector Bottom)
3	H406HWS	High Wind Stack	<b>BURNER TRAY</b>		
4	HX280TOP	Top, Cabinet	—	HX280BT	Burner Tray Assembly (Millivolt-Natural)
4	HX350TOP	Top, Cabinet	—	HX280BTP	Burner Tray Assembly (Millivolt-Propane)
4	HX406TOP	Top, Cabinet	—	HX350BT	Burner Tray Assembly (Millivolt-Natural)
5	HX350AP	Access Panel - Return Header	—	HX406BT	Burner Tray Assembly (Millivolt-Natural)
6	HX350APT	Access Panel Top - Front Header	—	HX406BTNE	Burner Tray Assembly (Natural-electronic)
7	HX350APB	Access Panel Bottom - Front Header	55	HX280BF	Burner Frame
8	HX350COV	Control Cover - Front Header	55	HX406BF	Burner Frame
9	HX280CAB	Cabinet - Heater	56a	HX280SSA	Shield, Secondary Air
9	HX350CAB	Cabinet - Heater	56a	HX350SSA	Shield, Secondary Air
9	HX406CAB	Cabinet - Heater	56a	HX406SSA	Shield, Secondary Air
10	HX350BCM	Base - Control Mounting	56b	HX280BRACE	Brace
11	HX350JB	Junction Box	56b	HX350BRACE	Brace
12	HX350BKTGV	Bracket - Gas Valve	56b	HX406BRACE	Brace
12	HX406BKTGV	Bracket -Electronic Nat. Gas Valve	57	HX350BKTP	Pilot Bracket (Millivolt)
13	HX280CPNL	Control Panel	58	HX350LT	Lighter Tube
13	HX350CPNL	Control Panel	59	HX350BKTLT	Bracket, Lighter Tube
13	HX406CPNL	Control Panel	60	HX350BKTPPE	Pilot Bracket (Electronic)
14	HX350BKTIW	Bracket - Ignition Wire	61	HX350PL	Pilot Burner - Millivolt (Natural, .018 Orf.)
15	HX280DR	Cabinet Door	61	HX350PLP	Pilot Burner - Millivolt (Propane, .010 Orf.)
15	HX350DR	Cabinet Door	62	HX350PLE	Pilot Burner - Electronic (Natural, .018 Orf.)
15	HX406DR	Cabinet Door	62	HX350PLPE	Pilot Burner - Electronic (Propane, .010 Orf.)
<b>HEAT EXCHANGER</b>			63	HX350PT	Pilot Burner Tubing
16	HX280HE1	Heat Exchanger (Tube Sheets and Tubes)	64	HX280BM	Burner Manifold
16	HX350HE1	Heat Exchanger (Tube Sheets and Tubes)	64	HX350BM	Burner Manifold
16	HX406HE1	Heat Exchanger (Tube Sheets and Tubes)	64	HX406BM	Burner Manifold
17	HX350HDR	Header, Return (Cast Iron)	65	HX350B028	Orifice Spud - Main Burner (Natural #28)
17	HX350HDRB	Header, Return (Bronze)	65	HX350B043	Orifice Spud - Main Burner (Propane #43)
18	HX350HDF	Header, Front (Cast Iron)	66	HX350BBR	Burner, Main
18	HX350HDFB	Header, Front (Bronze)	67	HX350GVR	Gas Valve - Millivolt (Natural)
19	HX350FL	Header Flange	67	HX350GVRP	Gas Valve - Millivolt (Propane)
20	HX350F1114	Flange Bolts (Set of 4) 3/8 - 16 x 1-3/4	67	HX350GVRE	Gas Valve - Electronic (Natural)
21	CZXF1930	1-1/2" Flange Gaskets (Set of 2)	67	HX406GVRE	Gas Valve - Electronic (Natural)
21	HMXGKT2930	2" Flange Gaskets w/Sleeves (Set of 2)	67	HX350GVRPE	Gas Valve - Electronic (Propane)
22	HX350F101	Carriage Bolts For Headers (Set of 6) 3/8 - 16 x 1-1/2	67	HX406GVRPE	Gas Valve - Electronic (Propane)
23	HX350F2216	Flanged Nuts For Headers (Set of 6) 3/8 - 16	<b>MISCELLANEOUS COMPONENTS</b>		
24	HX350DV	Drain Valve	68	CHXTST1930	Thermostat
25	HX350GH9	Gasket, Header (Set of 9)	69	HX350SPB	Spring, Retaining - Thermostat Bulb
26	CHXTBW1930	Bulb Well	70	HX350SWS	Switch, 2 Position (Single Thermostat)
27	CHXPLG1930	Plug - Relief Valve 3/4 NPT	70	HX350SWD	Switch, 3 Position (Dual Thermostat)
28	HX350GTST	Gasket - Thermostat	71	HX350MS	Memory Stop, w/Screw
29	HMXFCT2930	Thermostat - Flow Control	72	HX350NOB	Knob
30	HX350SPT	Spring - Thermostat Retainer	73	HX280CPL	Control Plate
31	HX350GCP	Gasket - Cover Plate	73	HX350CPL	Control Plate
32	HX350CP	Cover Plate (Cast Iron)	73	HX406CPL	Control Plate
32	HX350CPB	Cover Plate (Bronze)	74	HX350TR	Transformer (120V, 208V, 240V)/24V
33	HX350F1222	Bolts, Cover Plate (Set of 2) 1/4 - 20 x 3/4	75	CHXMOD1931	Ignition Control
34	HX350HL150	Hi Limit - 150°F (Front Header)	76	HX350F601	Thumbscrew, w/Retainer Ring
35	HX350HL140	Hi Limit - 140°F (Return Header)	77	HX350F401	Clip - Thumbscrew Receptacle
36	HX350BPV	Bypass Valve	78	HX350W	Wiring Harness - Millivolt (Not Shown)
37	HX350SPBV	Spring - Bypass Valve	78	HX350WE	Wiring Harness - Electronic (Not Shown)
38	HX350ROD	Guide Rod - Bypass Valve	79	HX350WH	Wire Holder (Not Shown)
39	HX350PBV	Plug - Bypass Valve	80	HX350P20022	Plug, Snap On (Plastic) 2" (Set of 2)
40	HX350PST	Pressure Switch Tube w/Fittings	81	HX350P0882	Plug, Snap On (Plastic) 7/16" (Set of 2)
41	HX350PSW1	Pressure Switch w/Fitting	82	HX350B0755	Bushing, Snap On (Plastic) 3/4" (Set of 5)
42	HX280BFL	Baffles, Flue	83	HX350TG	Grounding Lug (Not Shown)
42	HX350BFL	Baffles, Flue	84	HX350WN3	Wire Nut (Not Shown) (Set of 3)
42	HX406BFL	Baffles, Flue	85	HX350F12312	Screw Sm 8-1/2 Slotted Hex Head (Set of 12)
43	HX280HS22	Front and Rear - Heat Ex. Supports (Set of 2)	86	HX350F523P2	Screw Sm 8-1/2 Phlp Hd - Painted (Set of 2)
43	HX350HS22	Front and Rear - Heat Ex. Supports (Set of 2)	87	HX350F1512	Pilot Screw 10-32 x 3/16 SS (Set of 2)
43	HX406HS22	Front and Rear - Heat Ex. Supports (Set of 2)	88	HX350PB050	Plug, Button
44	HX350HS12	Side - Heat Exchanger Support (Set of 2)	88	HX350PB05088	Plug, Button
<b>COMBUSTION CHAMBER COMPONENTS</b>			89	HX350BKTHE	Bracket - Heat Exchanger (w/Hardware)
45	HX350ANGL	Angle - Combustion Chamber (Left Front)	—	HX350PNT	Touch-Up Paint
46	HX350ANGR	Angle - Combust. Chamber (Rt. Front) (Not Shown)	—	HX350CKLP	Conversion Kit - to Propane
47	HX350ANG2	Angle - Combustion Chamber (Rear, Set of 2)	—	HX350CK	Conversion Kit - to Natural Gas
			—	HX350DTK	Dual Thermostat Kit

Heaters



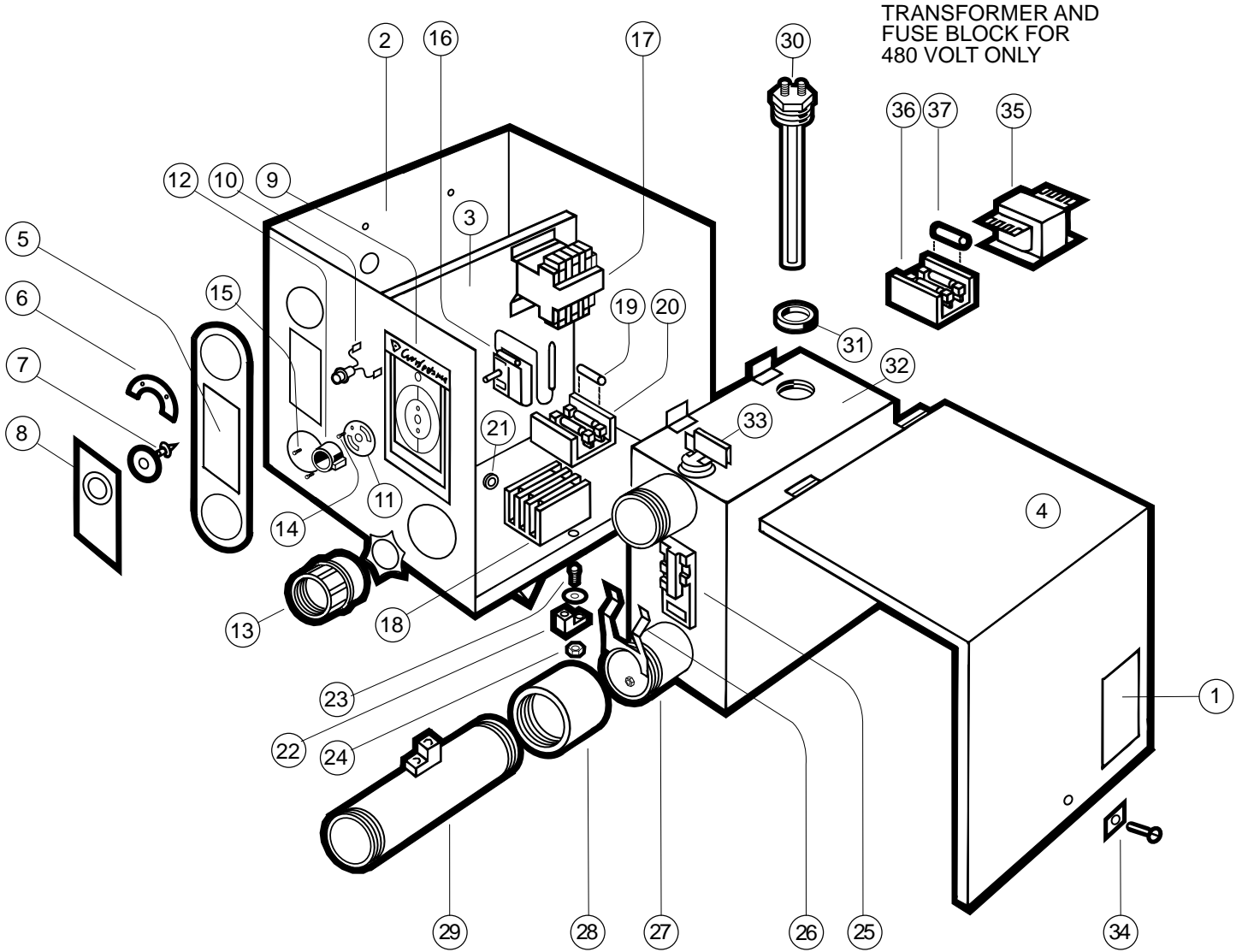
# PSE Models 12-54

HEATER REPLACEMENT PARTS

## Parts Diagram

Order Repair Parts by Part Number and Part Description with the Model and Serial Numbers. The Model and Serial Number will be Found on the Data Plate, Item No. 1.

Heaters





### Parts Listing

Ref. No.	Part No.	Description	Ref. No.	Part No.	Description	
t1	CZXDAP7270	Data Plate	19	CZXFUS3607	Fuse JJS 60 Amp 480V Only	
2	CZXJKA7504	Jacket Assembly 12-15-18 KW	20	CZXFUB3625	Fuse Block 24-30-36 KW	
2	CZXJKA7506	Jacket Assembly 24-30-36 KW	20	CZXFUB3626	Fuse Block All 208-240 Volt Heaters	
2	CZXJKA7505	Jacket Assembly 45-54 KW (480V Only)	21	CZXHYB1702	Heyco Bushing	
2	CZXJKA7508	Jacket Assembly 45-54 KW (208/240V Only)	22	CZXGRL2701	Ground Lug 12-15-18-24-30-36 KW	
3	CZXJFP6901	Fuse Panel 12-15-18 KW	22	CZXGRL2702	Ground Lug 45-54 KW	
3	CZXJFP6900	Fuse Panel 24-36 KW (45-54 KW 480V Only)	23	CZXSCR5402	Ground Lug Bolt	
3	CZXJFP6902	Fuse Panel 45-54 KW (208/240V Only)	24	CZXNUT5403	Ground Lug Nut	
4	CZXJKD7005	Door Assembly w/Hinges 12-15-18 KW	25	CZXTST3100	Thermodisc Thermostat Hi-Limit	
4	CZXJKD7004	Door Assembly w/Hinges 24-36KW (45-54 KW 480V Only)	26	CZXTSB4603	Thermodisc Bracket Hi-Limit	
4	CZXJKD7509	Door Assembly w/Hinges 45-54 KW (208/240V Only)	27	CZXNUT6404	Hi-Limit Bracket Mounting Nut	
5	CZXGKT9219	Inlet/Outlet Gasket 12-15-18-24-36 KW	28	CZXPVC4413	Coupling PVC 1-1/2"	
5	CZXGKT9220	Inlet/Outlet Gasket 45-54 KW	28	CZXPVC4414	Coupling PVC 2"	
6	CZXGSC9314	Gasket Securing Clamp 45-54 KW	29	CZXCCA6300	Current Collector 1-1/2"	
6	CZXGSC9312	Gasket Securing Clamp 12-15-18-24-30-36 KW	29	CZXCCA6201	Current Collector 2"	
7	CZXGLK9217	Grommet Quick Lock Kit	30		Element with Gasket	
8	CZXJKD7006	Access Door Hi-Limit Reset		CZXELE7640	4000	208
9	CZXLBL7257	Thermostat Label		CZXELE7642	4000	240
10	CZXLIT3613	Indicator Light 240 Volt		CZXELE7643	4000	480
10	CZXLIT3612	Indicator Light 120 Volt		CZXELE7644	5000	208
11	CZXTDL0102	Thermostat Dial Lock		CZXELE7645	5000	240
12	CZXTSK2003	Thermostat Knob		CZXELE7646	5000	480
13	CZXCDF3200	Conduit Fitting 1-1/2"		CZXELE7650	6000	208
14	CZXSCR2102	Dial Lock Screw		CZXELE7648	6000	240
15	CZXSCR3003	Thermostat Mounting Screw		CZXELE7649	6000	480
16	CZXTST3006	Thermostat Mears Electric				
17	CZXCON3644	Contactors 208/240 Volt Coil	31	CZXGKT7627	Gasket Element	
17	CZXCON3643	Contactors 120 Volt Coil 480 Volt Heater	32	CZXTNK6612	Tank Stainless 12-15-18 KW	
18	CZXTBK3601	Terminal Block 12-15-18 KW	32	CZXTNK6611	Tank Stainless 24-30-36 KW	
18	CZXTBK2602	Terminal Block 24-30 KW	32	CZXTNK6608	Tank Stainless 45-54 KW	
18	CZXTBK2603	Terminal Block 36 KW	33	CZXPRS1105	Pressure Switch All PSE Series	
18	CZXTBK3635	Terminal Block 45-54 KW	34	CZXSCR9300	Access Screw	
19	CZXFUS3605	Fuse JJN-40 Amp 208/240V 12-15-18-36-45-54 KW	35	CZXTRF3609	Transformer 480V Heaters Only	
19	CZXFUS3606	Fuse JJN 60 Amp 208/240V 24-30 KW	36	CZXFUB3629	Fuse Block 480V Heaters Only	
19	CZXFUS3619	Fuse JJS 40 Amp 480V Only 24-30-36 KW	37	CZXFUS3617	Fuse JJS 20 Amp 480V Only	
					NOT SHOWN	
					Wire-Order by Model & Description	
				CZXLBL8300	Power Contact Label	
				CZXLBL8400	Reset Button Label	
				CZXLBL5000	Field Wiring Label	
				CZXLBL5100	Fill Warning Label	
				CZXLBL5600	Caution Power Label	
				CZXLBL6000	Ground Label	
				CZXLBL7272	Phase Change Label	
				CZXLBL4700	Diagram 12-15-18 KW	
				CZXLBL4701	Diagram 24-30-36 KW	
				CZXLBL4703	Diagram 45-54 KW	
				CZXRVL6100	Relief Valve 3/4" Female Optional	

†Replaced upon return of damaged plate.