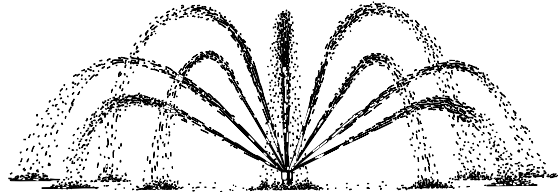


OWNER'S MANUAL



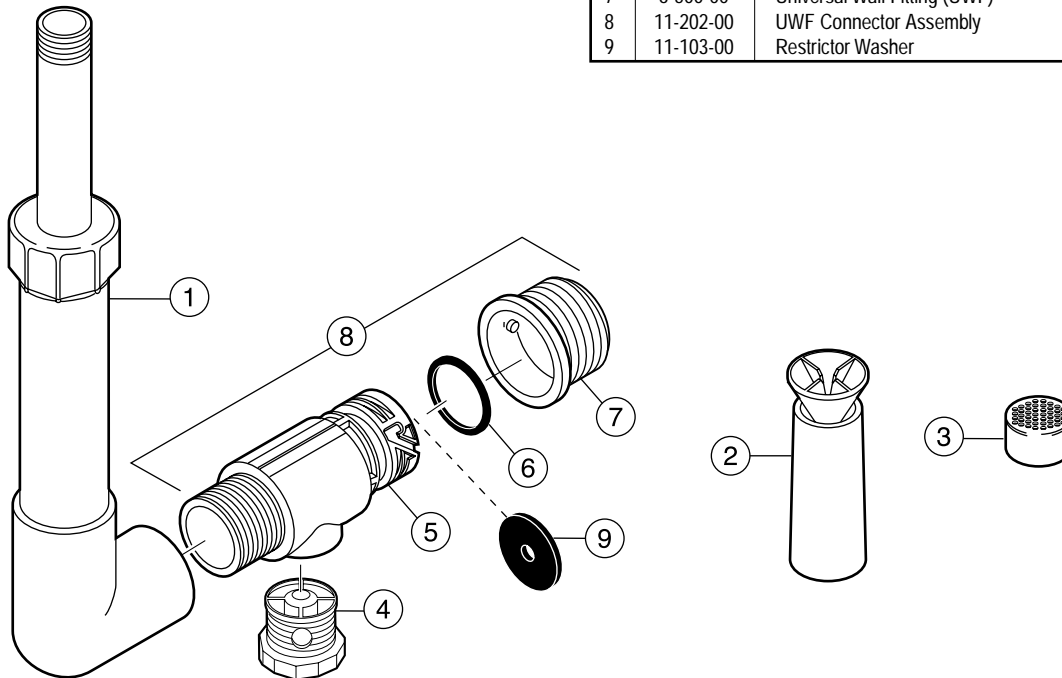
 **PolarisWaterStarsWF**

---

IMPORTANT INFORMATION

# Exploded Parts Diagram

No.	Part #	Description	Qty
	11-100-00	Polaris WaterStars WF	
1	11-204-00	Riser	1
2	11-201-00	Glory Head	1
3	11-200-00	Flower Head	1
4	11-203-00	Adjustable Plug, UWF	1
5	11-205-00	Quick Disconnect, UWF	1
6	6-505-00	O-ring, UWF/QD	1
7	6-500-00	Universal Wall Fitting (UWF)	1
8	11-202-00	UWF Connector Assembly	1
9	11-103-00	Restrictor Washer	1



## I. Introduction

The Polaris WaterStars WF will create a beautiful fountain from the pressure of a typical pool pump. The greater the water pressure delivered to the WaterStars WF, the higher your fountain display can be.

The WaterStars WF comes with our universal wall fitting connector assembly. Once the universal wall fitting is installed in your pool wall, it is

possible to quickly and easily switch from a Polaris pool cleaner to the Polaris WaterStars WF and back again. If your pool cleaner is not equipped with a quick disconnect to fit the universal wall fitting, it can be converted to this improved system with parts that are available at your participating Polaris dealer.

If you do not currently have a pool cleaner, please see Section IV for information about Polaris automatic pool cleaners.

**If you have any additional questions, please call our Customer Service Department toll-free at 1-800-VAC-SWEEP, Monday through Friday, 7:30 a.m. - 5:00 p.m. PST.**

## II. Installation

### A. WaterStars WF Components

The Polaris WaterStars WF comes packaged with the following components:

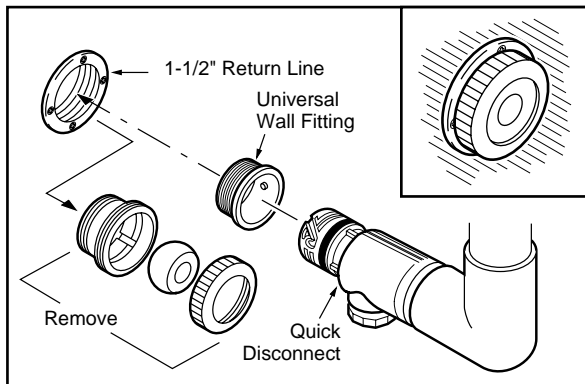
- Flower Fountain Head
- Glory Fountain Head
- Universal Wall Fitting
- Riser with Quick Disconnect and Adjustable Plug
- Restrictor Washer

### B. Installing the Universal Wall Fitting

**Note:** It is important to have a clean pool filter before installing the WaterStars WF.

Turn on the pool filtration pump and flush out the plumbing line. Turn off the pump.

- For return lines with exposed 1-1/2" female threads: Screw in the universal wall fitting by hand. Turn the quick disconnect end of the riser clockwise into the universal wall fitting until secure. Once secure, the riser can be removed without removing the universal wall fitting.
- For return lines that look like the one below: Remove the parts shown and install the universal wall fitting as described above.



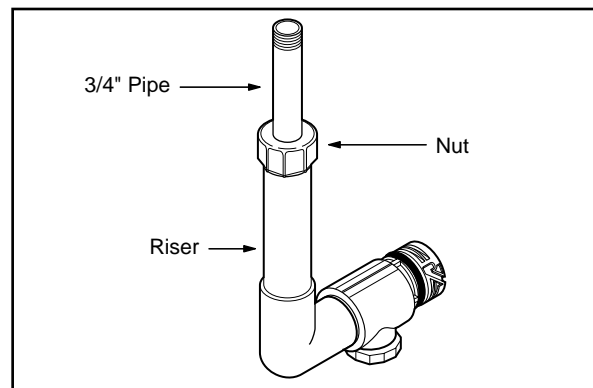
**Note:** Pools without 1-1/2" threaded fittings need a special adapter kit to install the Polaris WaterStars WF. For further information, contact your participating Polaris dealer.

### C. Fountain Head Assembly

Select the flower or glory fountain head and save the unused head to change the water display as desired. Screw the fountain head onto the threaded end of the riser.

### D. Fountain Head Adjustment

The top of the fountain head should be above water level and below the top of the deck. To adjust the height of the fountain head, loosen the nut in the middle of the riser. Slide the 3/4" pipe upward to raise and downward to lower the fountain head. Retighten the nut at the desired height and turn on your pool pump.



**Note:** If the fountain head is still too high, refer to the Fountain Head Height section for additional adjustment instructions.

## III. Miscellaneous

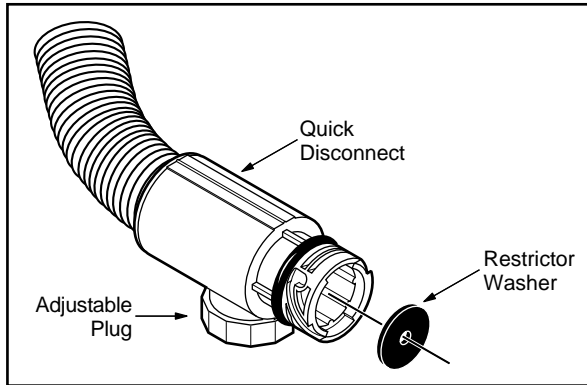
### A. Other Fountain Adjustments

#### 1. Display Height

The adjustable plug allows you to manually adjust the height of the water display. Loosening the adjustable plug will decrease the height of the fountain, while tightening the plug will increase it.

#### 2. Too Much Water Pressure

If you have a Polaris 380, 280 or 180 and have too much water pressure, you will need to install the restrictor washer included with the fountain. Snap the restrictor into the quick disconnect. See the diagram at the top of the next page.



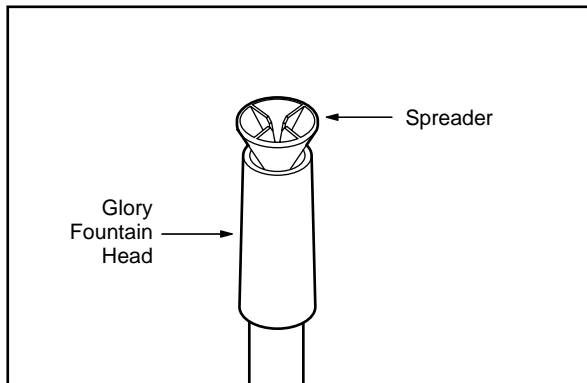
If you still have too much water pressure, contact our Customer Service Department at 1-800-VAC-SWEEP.

### 3. Glory Display Presentation

Tightening or loosening the spreader in combination with tightening or loosening the adjustable plug will vary the water display. Experiment with different combinations of the two adjustments until you are satisfied with the water display.

### 4. Fountain Head Height

This section is only necessary if the fountain head extends above the top of the deck after the height of the fountain head has been adjusted as described in Section D.



Remove the fountain head. With the 3/4" pipe pushed all the way down, the threaded section should be just above the water level. Measure the excess amount of 3/4" pipe above the water level. Loosen the nut in the middle of the riser and pull the 3/4" pipe out of the assembly. Cut the measured amount from the bottom of the pipe, leaving at least 3" of pipe remaining. Do not cut the threaded end off. Slide the 3/4" pipe back into the assembly and retighten the nut.

## B. Storage

To disconnect the WaterStars WF, turn off the pool pump. Push the quick disconnect in and turn counterclockwise. Store the Polaris WaterStars WF in a secure place out of direct sunlight; the original box serves as an excellent storage container.

When storing for the winter, remove the universal wall fitting. With the quick disconnect attached to the universal wall fitting, pull the quick disconnect away from the pool wall as you unscrew it. In some cases, it may be necessary to use the universal wall fitting removal tool to aid in removal. The tool (part #10-102-00) is available at your participating Polaris dealer.

## **Limited Warranty Polaris WaterStars WF**

You have just purchased one of the finest spa and pool products made. It is warranted for one year, subject to the following terms and conditions:

1. WaterStars WF is warranted to the original owner for one year from the date of purchase with proof of purchase. This warranty covers defects in materials and workmanship.
2. Parts returned under this warranty will be inspected. Damage which, in our judgment, occurred because of misuse, negligence or accident is not covered by this warranty. This warranty is void if the product has been altered or tampered with in any way, or if the serial number has been effaced, altered, or removed. Normal wear because of ordinary usage is not covered under this warranty.
3. The WaterStars WF owner may send parts presumed defective directly to Polaris Pool Systems, Inc., freight prepaid. If Polaris agrees that the products are defective and covered by this warranty, Polaris will repair or replace, at its option, and return the parts freight prepaid, with no charge for repairs.

THIS LIMITED WARRANTY IS IN LIEU OF ALL OTHER WARRANTIES, EXPRESS OR IMPLIED, INCLUDING THE IMPLIED WARRANTIES OF MERCHANTABILITY AND FITNESS FOR A PARTICULAR PURPOSE, AND ALL SUCH OTHER WARRANTIES ARE DISCLAIMED EXCEPT TO THE EXTENT ANY IMPLIED WARRANTY MAY BE IMPOSED BY STATE CONSUMER LAW. ANY SUCH IMPLIED WARRANTY IMPOSED BY STATE CONSUMER LAW IS LIMITED IN DURATION TO ONE (1) YEAR FROM DATE OF PURCHASE.

IN NO EVENT SHALL POLARIS BE LIABLE FOR INCIDENTAL OR CONSEQUENTIAL DAMAGES OF ANY NATURE OR KIND OR FOR DAMAGES TO PERSONS OR PROPERTY.

Some states do not allow limitations on how long an implied warranty lasts, or the exclusion or limitation of incidental or consequential damages, so the above limitations may not apply to you.

This limited warranty is valid only in the United States of America and Canada, and it does not apply to Polaris fountains sold or installed in any other country.



**USA: 2620 Commerce Way, Vista, CA 92083-8438 • 760-599-9600 • 1-800-VAC-SWEEP** (USA and Canada only)

Florida Warehouse: 10453 Tillery Road, Spring Hill, FL 34608

Australia: Unit 18, 1-7 Short Street, Chatswood, NSW 2067 • 02-9882-1111 • ACN 080 168 092

Europe: C/Osona s/n. (Pol. Ind. El Ramassar), 08520 Les Franqueses del Vallés, Barcelona, Spain • +34 93 840 25 85

[www.polarispoolsystems.com](http://www.polarispoolsystems.com)