

Levolor® II

Electronic Water Leveler

Model K-2000

INSTALLATION INSTRUCTIONS

The new and unique LEVOLOR II Model K-2000 electronic water level controller is a computer controlled device that detects low and high water conditions. This Levolor model can be used in any situation where a consistent liquid level is desired and a high level situation can be detected and acted upon such as a Vanishing Edge pool or fountain.

IMPORTANT SAFETY INSTRUCTIONS

1. READ AND FOLLOW ALL INSTRUCTIONS.
2. **WARNING:** To reduce the risk of injury, do not permit children to use this product unless they are closely supervised at all time.
3. SAVE THESE INSTRUCTIONS.
4. Sensor wires must be continuous and not spliced. Call factory with any questions: 1-800- 844-8514
5. Solder all low voltage wire connections when possible and always use grease-filled wire nuts on low voltage connections.



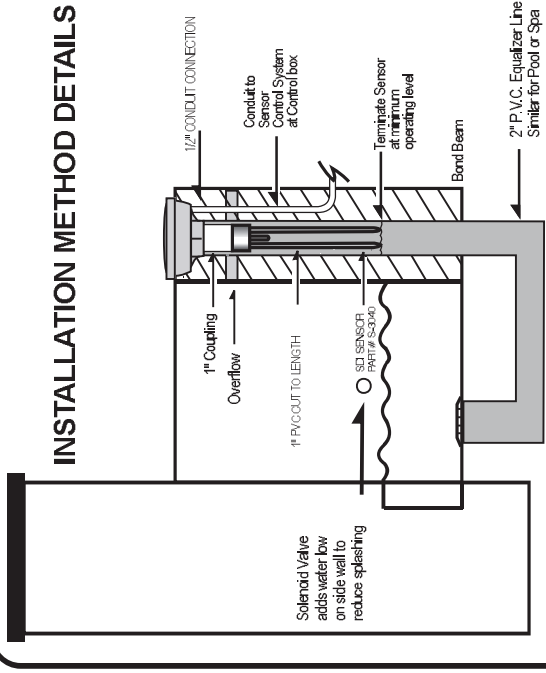
Electronic Water Level Management Systems

LEVELOR II REQUIRES THESE COMPONENTS

1. Control Box
2. Sensor
3. 24VAC Solenoid Valve
4. Relay - 24VDC coil (not included)

System Dynamics provides the controller and the sensor with a minimum of 50ft. of wire. The controller is wired either 220 or 110 and input voltage requirement should be verified by reading placards. The sensor wire must be continuous and is available in 50ft. increments up to 200ft. With the S-3040 series sensors, the white wire from the sensor is the "high level" sensor and should be connected to the yellow-red stripe wire from the controller. The black wire from the sensor goes to the yellow wire with no stripe. The red wire from the sensor goes to the yellow wire with the blue stripe. When using the static pipe method glue all pipe connections. The solenoid valve is included, it is made by Weathermatic and it's pressure rating cannot exceed 125 PSI. Use a DC relay on the red and grey wires that drive the pump. Do not crimp any copper wire.

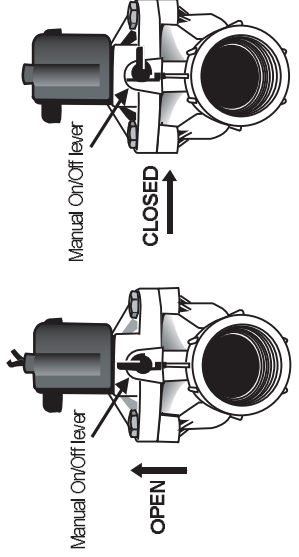
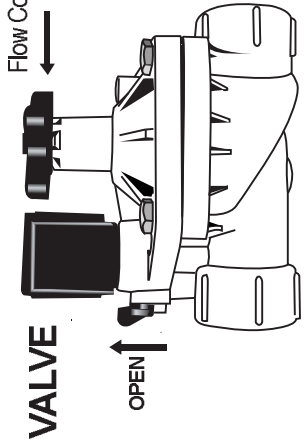
INSTALLATION METHOD DETAILS



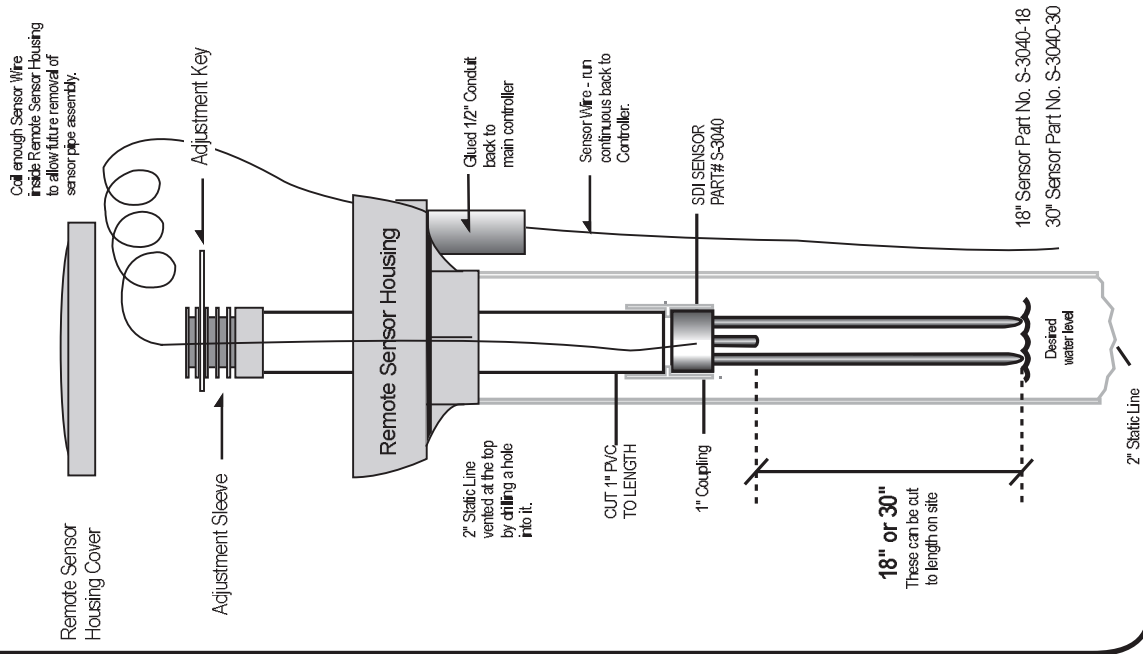
EXAMPLE OF VANISHING EDGE POOL DESIGN BY QUESTAR POOLS OF CALIFORNIA USING THE LEVELOR

WEATHERMATIC VALVE DIRECTIONS

Your Levelor comes with a 1" solenoid valve that runs 24 Vac. The directional water flow arrow is located on the valve behind the solenoid. On top of the valve is a flow control knob (+) that regulates the water flow up to 30 GPM. There is a Manual On/Off lever located just below the solenoid. When the lever is in the up position (12 o'clock), then the valve is manually opened. When the lever is in the horizontal position (3 o'clock), then the valve is closed and will only open with the Electronic Water Levelor.



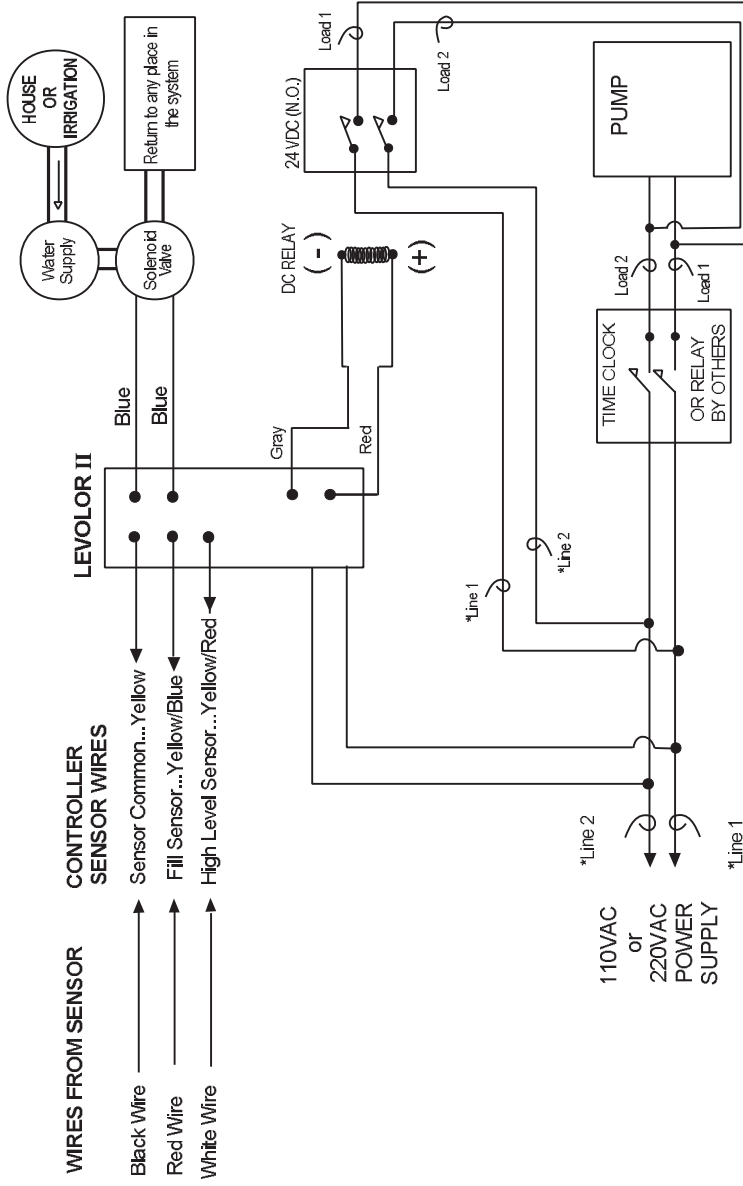
SENSOR S-3040 INSTALLATION METHOD



Electronic Water Level Management Systems

A 24VAC solenoid valve will provide water from a supply line to the pool or spa. Installing the supply line either before or after the filter at the equipment pad is acceptable. A 3/4 inch valve is the minimum recommended, and of course, an anti-siphon valve will provide inexpensive insurance against accidental draining of the pool.

Electrical Schematic To Levolor II K-2000 model for Vanishing Edge Pool



The following parts and supplies are required to install Levolor:

1. LEVOLOR Controller
2. Sensor with 50 ft. - 200 ft. of wire.
3. 24VAC 50-60 Hz anti-siphon valve, (NOT SUPPLIED). If the connection happens to be made from the irrigation system then anti-siphon valve is not necessary.
4. Mounting Screws (NOT SUPPLIED). Four holes in the box, one in each of the four corners.
5. 24 VDC relay properly rated for the pump selected (NOT SUPPLIED).

*NOTE: The line numbers are important. If misconnected a short circuit will occur.