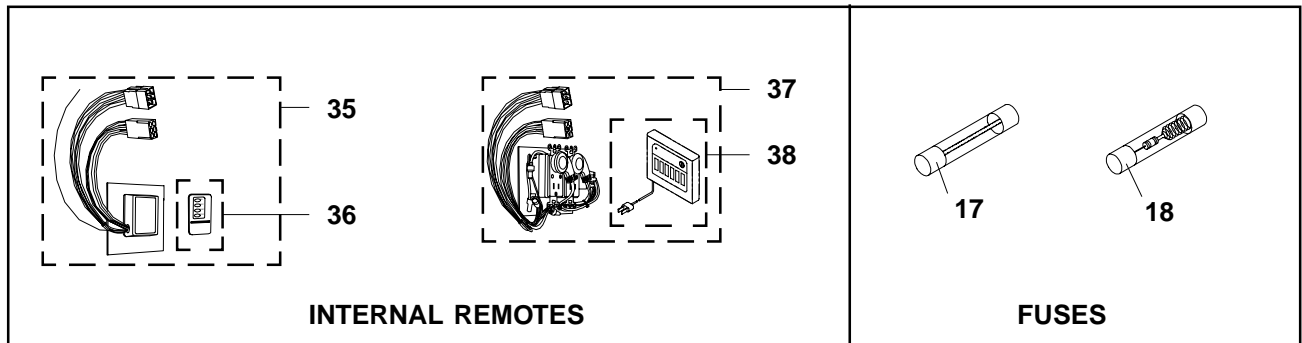
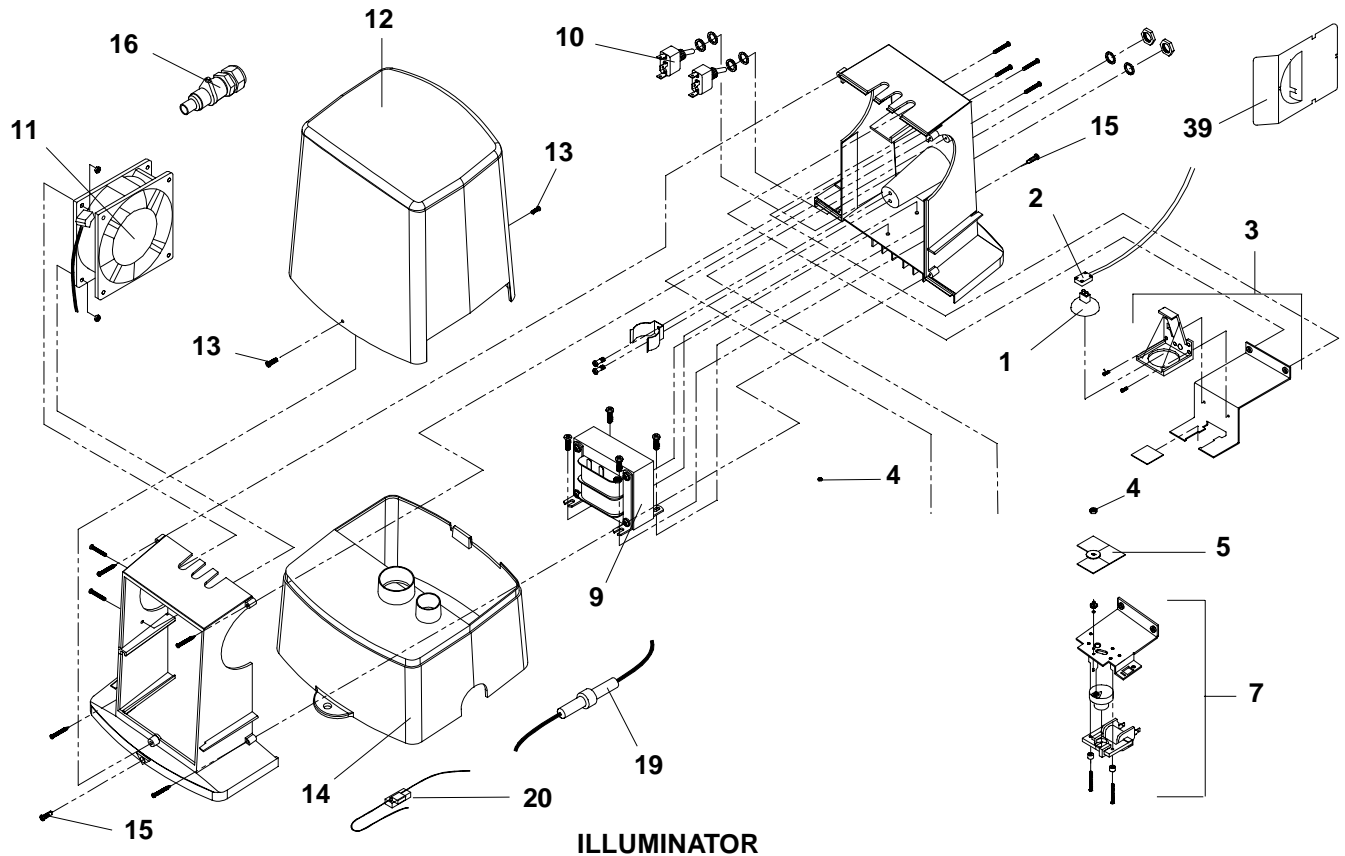


1500 SERIES FEATURE ILLUMINATOR™

PARTS EXPLODED



KEY	DESCRIPTION	PART#	KEY	DESCRIPTION	PART#
1	LAMP	HL-109	14	BASE	E12312
2	LAMP SOCKET	B9155	15	BASE TO CHASSIS SCREW (#8 X .5 SELF DRILLING)	A11246
3	LAMP BRACKET ASSY.	Y20-2050	16	FIBER PORT ASSY.	A10980
4	COLOR WHEEL NUT	A8092	17	FUSE, MAIN POWER, 2.5 AMP	A9182
5	COLOR WHEEL ONLY (1504)	PTO3D	18	FUSE, COLOR WHEEL MOTOR, .1 AMP	A11598
7	COLOR WHEEL MOTOR ASSY. (1504)	Y10-4005	19	FUSE HOLDER, UNIVERSAL (NO FUSE INCLUDED)	Y30-6900
9	TRANSFORMER, 120VAC - 19.7VAC	D9144E	20	THERMAL OVERLOAD ASSEMBLY, UNIVERSAL	Y30-0020
10	TOGGLE SWITCH, 3-POSITION	A11526	35	RM1 REMOTE CONTROL PKG., WIRELESS	RM1
11	FAN	A7002	36	RM1 TRANSMITTER ONLY, WIRELESS	Y30-6005
12	TOP COVER	A11604	37	RM2 REMOTE CONTROL PKG., X-10 TYPE	RM2
13	TOP COVER SCREW (#8-32 X.5)	A11603	38	RM2 TRANSMITTER ONLY, PLUG-IN	FS-126
			39	AIR BAFFLE, ALL UNITS	D12028