

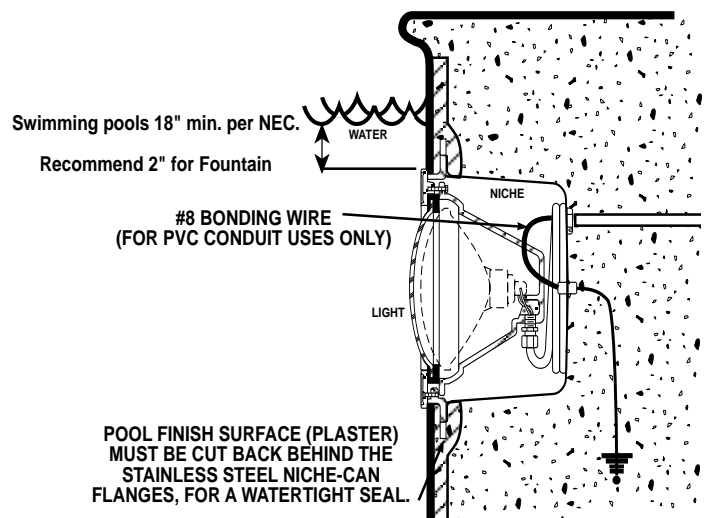
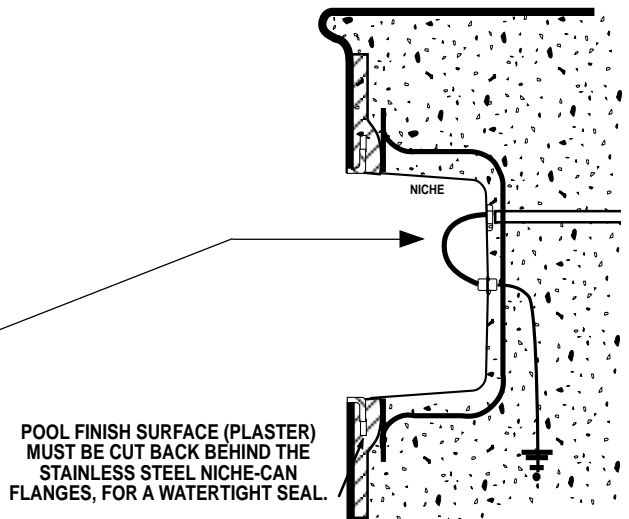
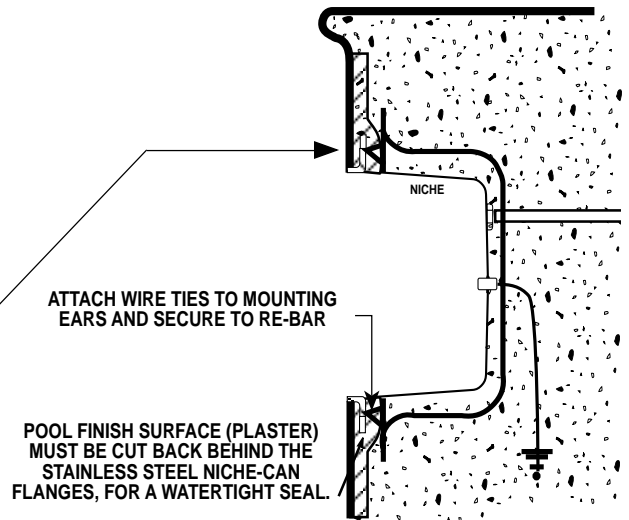
**SAFETY WARNING:**  
THE INSTALLER IS RESPONSIBLE FOR PROPER  
INSTALLATION.  
THESE FIXTURES MUST BE INSTALLED BY A  
QUALIFIED PERSON IN ACCORDANCE WITH  
NATIONAL ELECTRIC CODE AND RELEVANT  
LOCAL CODES.  
READ 1990 NATIONAL ELECTRIC CODE  
ARTICLE 680-20 THRU 680-22 PRIOR TO  
INSTALLING.

1. INSTALL NICHE IN PLACE AND SECURE TO RE-BAR BY WIRING TO EARS ON NICHE.
2. MAKE SURE NICHE FLANGE WILL BE COMPLETELY COVERED IN PLASTER FOR A WATER-TIGHT SEAL. BE SURE THE NICHE IS LEVEL.
3. ATTACH THE CONDUIT TO THE NICHE HOUSING.

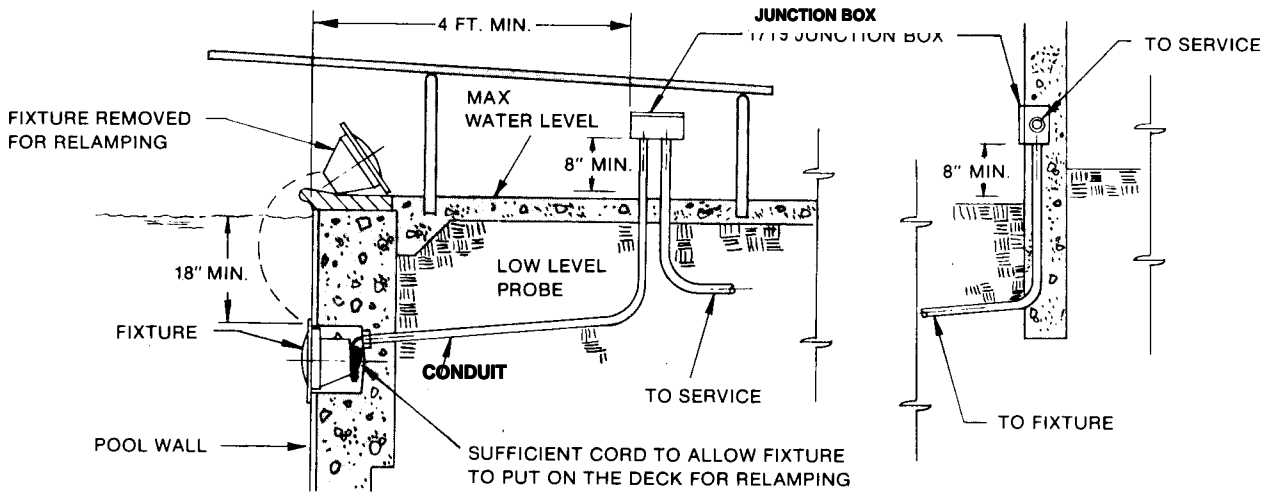
**NOTE:**

THE CONDUIT HUB MUST BE ORIENTED AT THE TOP. WHEN LOW VOLTAGE FIXTURES OR PLASTIC CONDUIT IS USED IT IS RECOMMENDED THAT 1" CONDUIT BE USED.

4. IF PLASTIC CONDUIT IS USED, A #8 STRANDED COPPER BOND WIRE MUST BE POSITIVELY ATTACHED IN THE JUNCTION BOX, PULLED THROUGH THE CONDUIT, AND SECURED TO THE BONDING LUG INSIDE THE NICHE.
5. TO MEET NATIONAL ELECTRIC CODE REQUIREMENTS: "THE TERMINATION OF THE #8 CONDUCTOR IN THE FORMING SHELL SHALL BE COVERED WITH, OR ENCAPSULATED IN, A LISTED POTTING COMPOUND TO PROTECT SUCH CONNECTION FROM THE POSSIBLE DETERIORATING EFFECT OF POOL WATER."
6. COVER NICHE, SHOOT GUNITE, AND PRIME TRIM PLASTER TO FLANGE EDGE.
7. INSTALL FIXTURE.



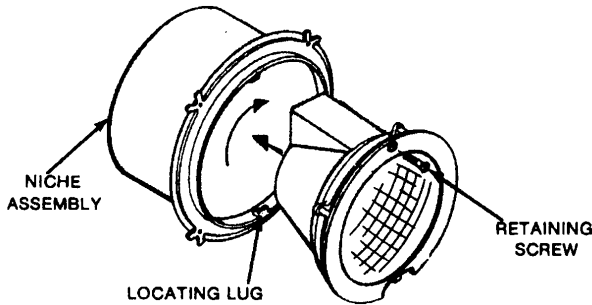
## 4400 & 4800 SERIES WET NICHE INSTALLATION INSTRUCTIONS



Hydrel fixtures are designed to meet 1990 National Electric Code, Article 680 requirements. The N.E.C. requires that fixtures must be installed so that the fixture lens is at least 18" below normal water level. The junction box shall be located at least 8" above maximum water level, pool deck or ground, whichever is greater. The junction box shall be located not less

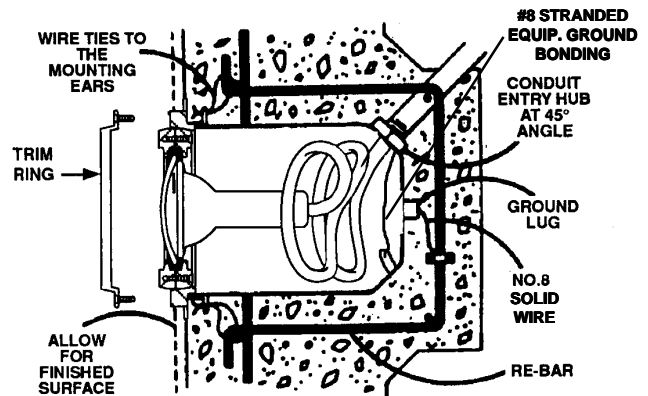
than 4 feet from the perimeter of the pool, unless separated from the pool by a fence, wall or other permanent barrier. Junction boxes mounted above grade in the walkway around the pool shall be afforded additional protection by locating them in such places as under a diving board, adjacent to fixed structures, etc. Check local codes to assure acceptance.

### 4400 SERIES TWIST AND LOCK MOUNTING

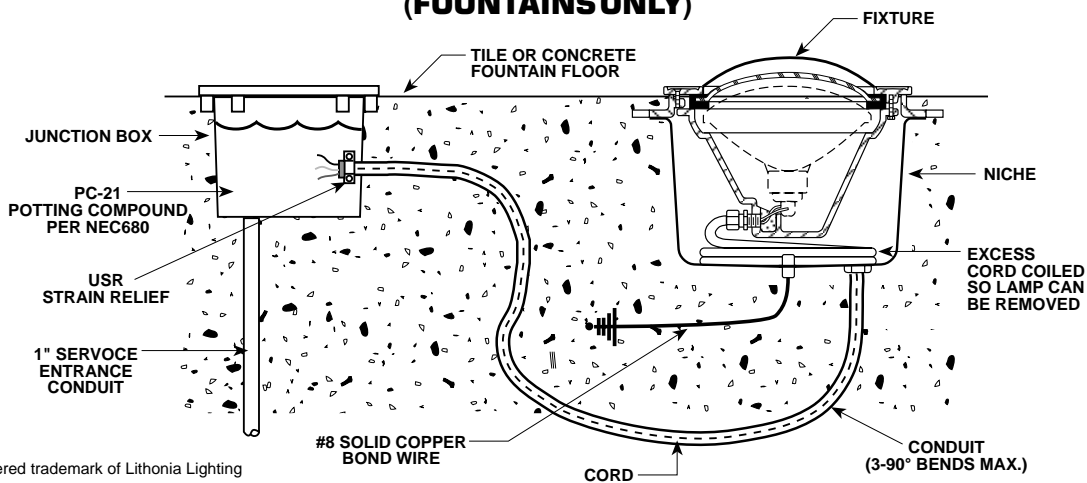


Mounting the fixture into the niche is simple and positive with the Twist and Lock feature. Fixture may be inserted directly into the niche. (No hooking a lower lug or slipping over a pin.) Fixture is inserted and given a slight clockwise twist. The retaining screw then provides a positive fixture lock. **NOTE:** Screw should be located at top of fixture.

### 4800 SERIES CONCRETE NICHE, EXTENDED



### JUNCTION BOX AND FIXTURE INSTALLATION NICHE MOUNT (FOUNTAINS ONLY)



HYDREL is a registered trademark of Lithonia Lighting