



Venturi Skimmer – Installation Instructions

Use PVC to PVC cement on all connections

1. Set and install the QuikSkim skimmer as you would install a normal skimmer (See Figure 1 & 2 for detailed installation requirements). The QuikSkim incorporates a water stop into the faceplate to eliminate leaks. The Figure 2 detail view shows how to locate the tile/grout to ensure a water tight seal.
2. All suction lines out of the QuikSkim must be 2" Schedule 40 PVC. If the distance to the pump requires a larger diameter suction line, increase to that diameter size immediately outside the skimmer.
3. Water is directed to the QuikSkim by installing a Tee fitting with a 2" to 1 1/2" reducer just ahead of the in-floor cleaning water valve and installing a 1 1/2" ball valve just below the Tee (see Figure 3). This valve is fully open during the operation of the QuikSkim. If a DE filter is used on the system, this valve must be closed when charging the filter through the skimmer.
4. Install a 2" to 1 1/2" reducer in the 2" inlet fitting on the back side of the skimmer and run a 1 1/2" line from the ball valve to the QuikSkim. (Use PVC to PVC glue on the reducer bushing/skimmer connection).
5. Glue an 18" length of Schedule 40 PVC pipe into the discharge port of the QuikSkim and cap the end to prevent gunite from entering.

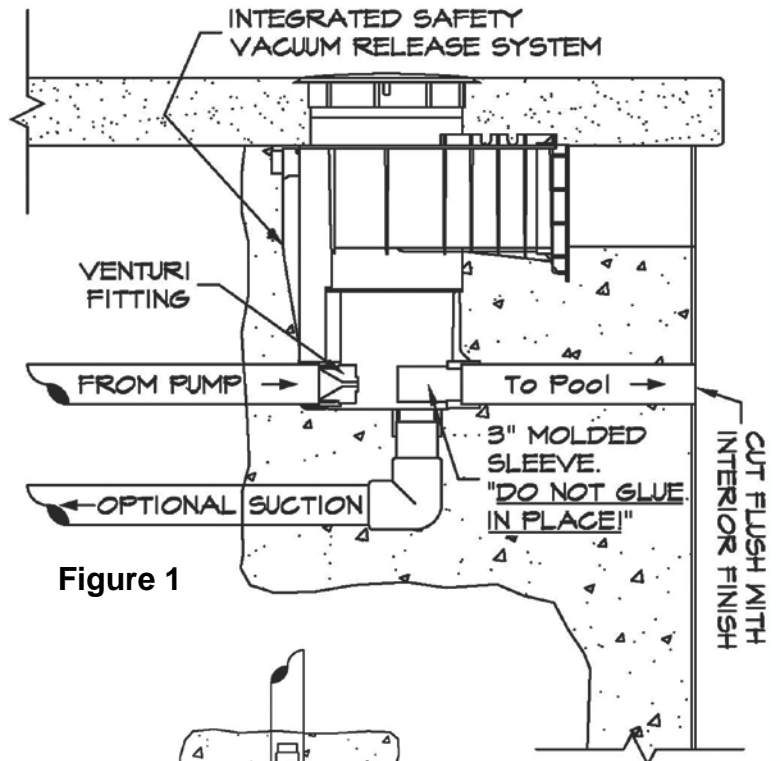


Figure 1

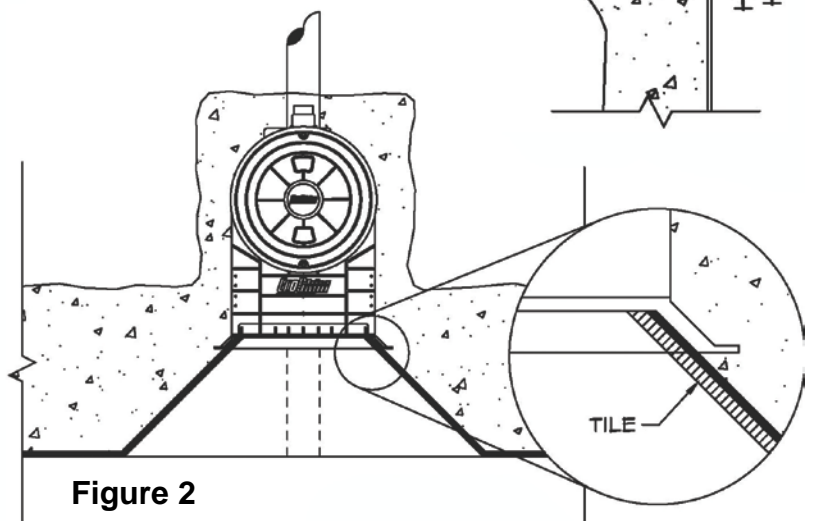


Figure 2

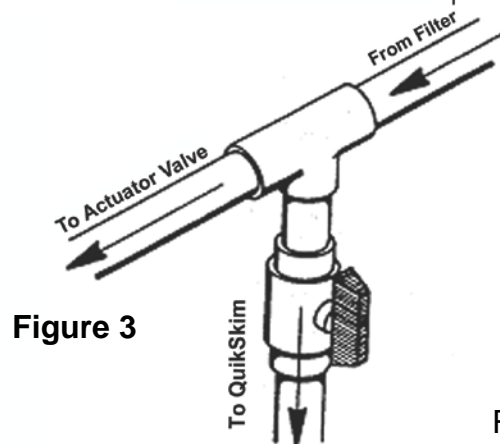


Figure 3

6. To pressure test the 1 ½" line from the ball valve, install a 2" threaded plug into the inlet fitting on the inside of the skimmer. Install a second 2" plug, into the suction port in the bottom of the skimmer to pressure test the suction line from the skimmer to the pump.
7. Before plastering or applying the finished surface, cut the discharge line from the front of the QuikSkim, so that it will finish flush with the finished surface. **DO NOT INSTALL ANYTHING OVER THIS LINE! NO MAIN DRAIN COVERS!**
8. At start-up, remove the test plugs and install the venturi fitting in the inlet port (Figure 1).
9. Install the provided 3" long molded sleeve into the discharge fitting directly opposite the venturi fitting (Figure 1). **DO NOT GLUE THE SLEEVE INTO THE FITTING!** This must remain unglued so that a plug may be threaded into the bottom suction port if it is necessary to pressurize or winterize the system.
10. Remove the stainless steel rod from the skimmer basket and install the silt sock in the skimmer basket after the pool has circulated long enough to remove the plaster dust from the pool, and then replace the stainless steel rod.

Operating the QuikSkim

1. **IF THE OPTIONAL SUCTION LINE IS SELECTED**, the QuikSkim skimmer may be operated simultaneously with the normal skimmer function or the suction from the pump may be shut off to allow only the venturi powered skimmer action to skim the pool surface. Either way, a much stronger skimming action will result as compared to a standard skimmer.
2. If the QuikSkim is installed on a pool with a LeafVac, the suction through the main drain and the LeafVac will be greatly enhanced by closing almost all the suction between the skimmer and the pump. This arrangement will result in maximum debris removal from the bottom of the pool while the QuikSkim efficiently removes the surface debris

